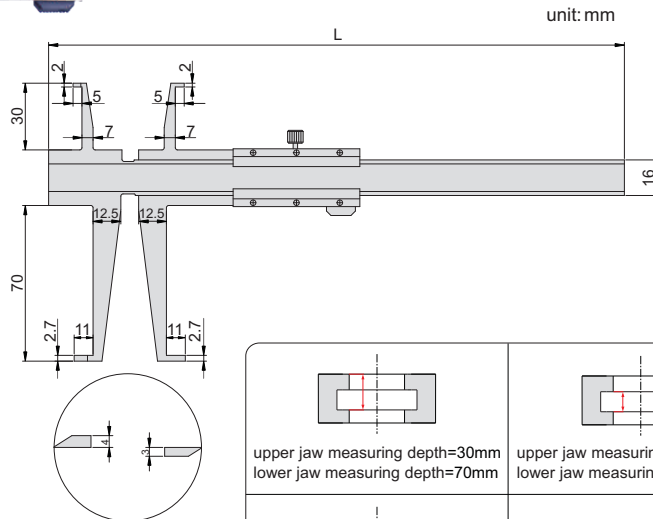


109-006-11



- ◆ Measure diameter of grooves inside bores
- ◆ Graduation: 0.02mm
- ◆ Made of stainless steel
- ◆ Satin chrome plated reading surface

Code	Range of upper jaw	Range of lower jaw	Accuracy	L
109-006-11	9-150mm	15-150mm	±0.04mm	260
109-008-11	9-200mm	15-200mm	±0.06mm	310

