

134

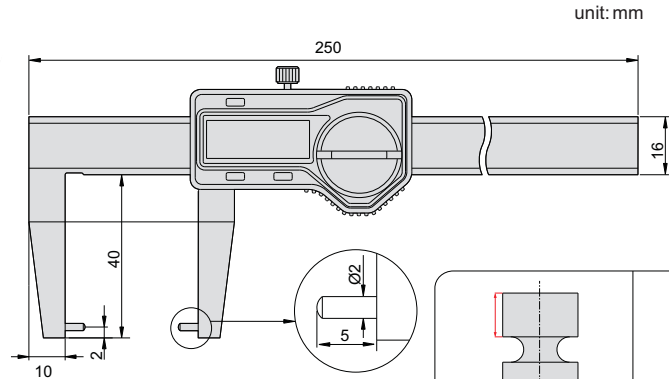
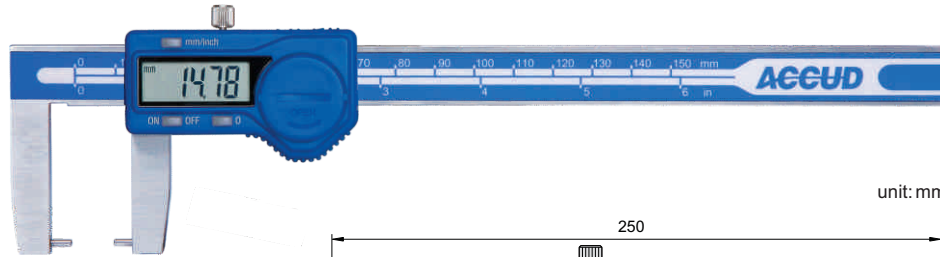
# DIGITAL OUTSIDE POINT CALIPER



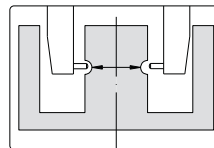
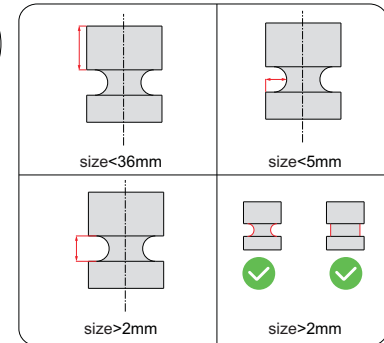
ACCUD



CALIPER



- ◆ Measure wall thickness of inside bores and recesses
- ◆ Resolution: 0.01mm/0.0005"
- ◆ Automatic power on/off
- ◆ Buttons: on/off, zero, mm/inch
- ◆ Data output(cable code:100-11 or 100-12)
- ◆ Made of stainless steel



Code	Range	Accuracy
134-006-11	0-150mm/0-6"	±0.04mm