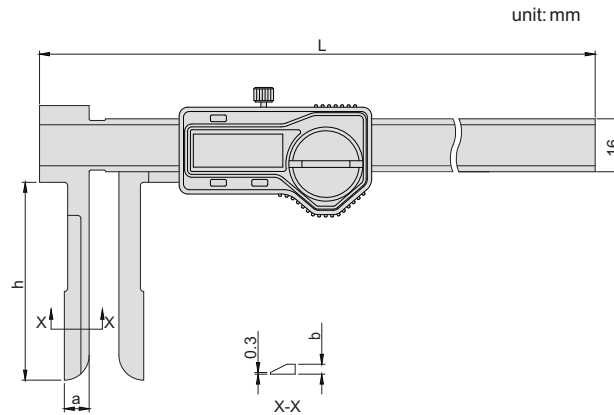




139-006-11

- ◆ Measure the diameter of deep holes or grooves
- ◆ Resolution: 0.01mm/0.0005"
- ◆ Automatic power on/off
- ◆ Buttons: on/off, zero, mm/inch
- ◆ Data output(cable code: 100-11 or 100-12)
- ◆ Made of stainless steel



Code	Range	Accuracy	L	h	a	b
139-006-11	15-150mm	±0.05mm	250	60	12	3
139-008-11	20-200mm	±0.05mm	310	90	15	4

