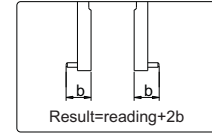
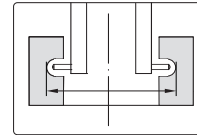
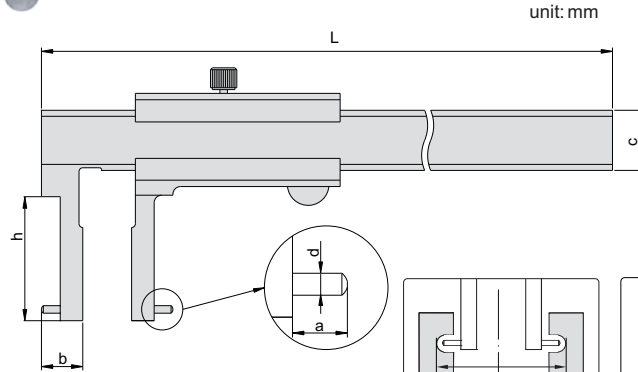


146-006-11

- ◆ Measure the grooves
- ◆ Made of stainless steel
- ◆ Satin chrome plated reading surface



Graduation 0.02mm

Code	Range	Accuracy	a	b	c	d	h	L
146-006-11	24-150mm	±0.04mm	5	12	16	∅2	30	250
146-012-11	50-300mm	±0.06mm	8	25	17	∅3	80	410

Graduation 0.05mm

Code	Range	Accuracy	a	b	c	d	h	L
146-006-13	24-150mm	±0.05mm	5	12	16	∅2	30	250
146-012-13	50-300mm	±0.08mm	8	25	17	∅3	80	410

