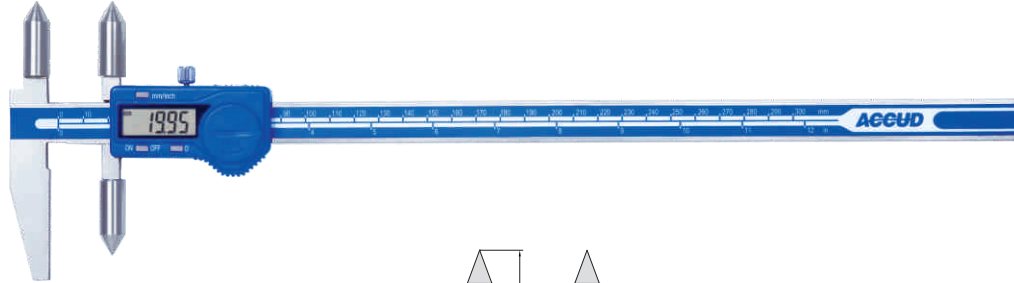
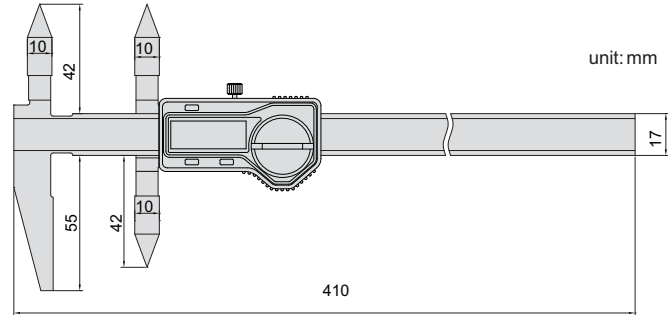


148

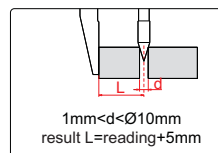
DIGITAL CENTERLINE/EDGE TO CENTER CALIPER



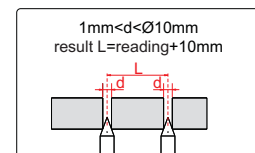
- ◆ Measure hole center distance or edge to hole center distance
- ◆ Resolution: 0.01mm/0.0005"
- ◆ Buttons: on/off, zero, mm/inch
- ◆ Data output(cable code: 100-11 or 100-12)
- ◆ Automatic power on/off
- ◆ Made of stainless steel



measure edge to hole center distance



measure hole center distance



Code	Range of upper jaw (center to center)	Range of lower jaw (edge to center)	Accuracy
148-012-11	10-300mm/0.4-12"	5-300mm/0.2-12"	±0.08mm

AGGUD



CALIPER