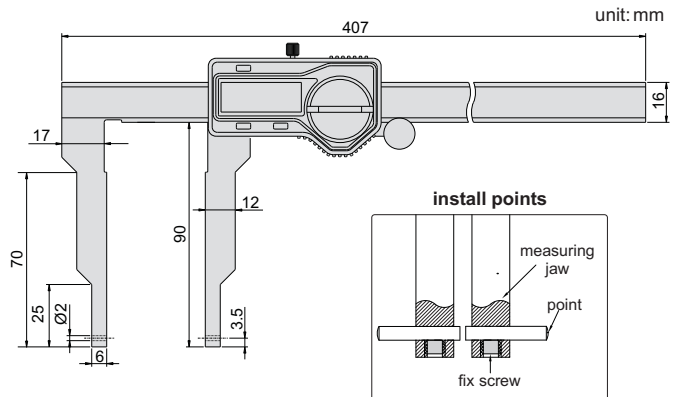
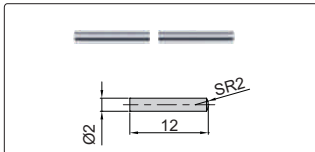


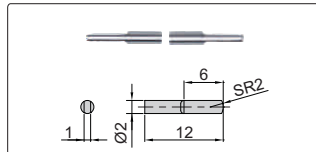
- ◆ Supplied with 4 pairs of points and one zero setting block for external measurement
- ◆ Resolution: 0.01mm/0.0005"
- ◆ Buttons: on/off, zero, mm/inch
- ◆ Automatic power on/off
- ◆ Data output(cable code: 100-11 or 100-12)
- ◆ Made of stainless steel



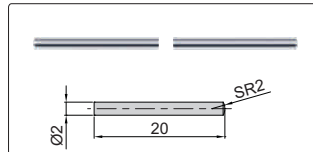
short spherical/flat points



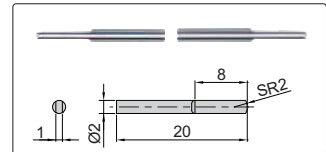
short spherical blade points



long spherical/flat points



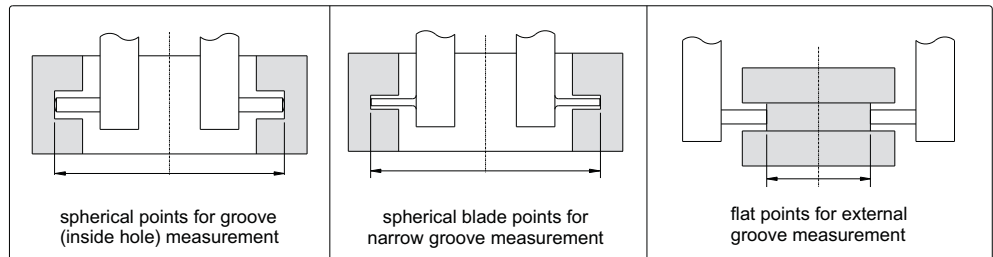
long spherical blade points



zero setting block for external measurement (included)



**Measure internal and external grooves**



| Code       | Point                        | Range   | Accuracy | Application   |
|------------|------------------------------|---|----------|---|
| 149-012-11 | short spherical/flat points  | 24-324mm/1-12.7"(internal)<br>0-288mm/0-11.3"(external)   | ±0.04mm  | spherical points for grooves/inside hole, (small hole) flat points for external grooves |
|            | long spherical/flat points   | 40-340mm/1.5-13.3"(internal)<br>0-272mm/0-10.7"(external) | ±0.04mm  | spherical points for grooves/inside hole, (large hole) flat points for external grooves |
|            | short spherical blade points | 24-324mm/1-12.7"(internal)<br>0-288mm/0-11.3"(external)   | ±0.04mm  | for narrow grooves (small hole)   |
|            | long spherical blade points  | 40-340mm/1.5-13.3"(internal)<br>0-272mm/0-10.7"(external) | ±0.04mm  | for narrow grooves (large hole)   |