

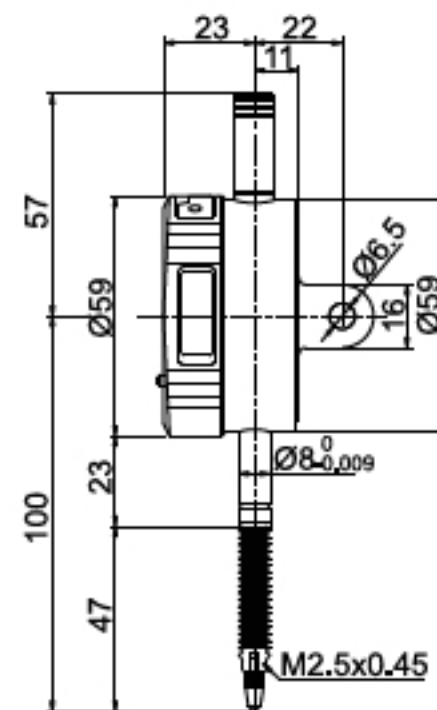
SERIES 213

WATERPROOF DIGITAL INDICATOR

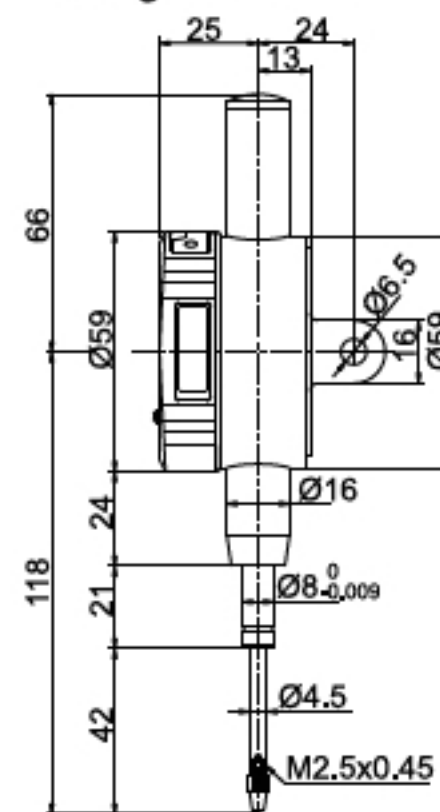
- ◆ Dust/waterproof
- ◆ Button: on/off, zero, inch/mm conversion, measuring direction set, data preset absolute/incremental measurement
- ◆ Automatic power off
- ◆ Data output
- ◆ Supplied with lug and flat back



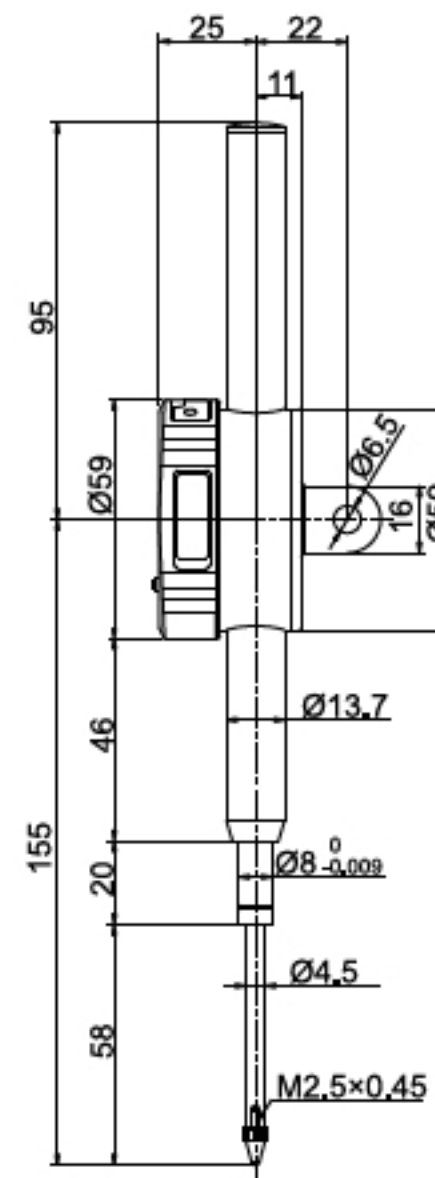
213-010-01



Range:0-12.7mm



Range:0-25.4mm



Range:0-50.8mm

unit: mm

Code	Range	Resolution	Proof Level	Accuracy	Hysteresis
213-010-01	12.7mm/0.5"	0.001mm/0.00005"	IP65	5µm	2µm
213-025-01	25.4mm/1"	0.001mm/0.00005"	IP54	5µm	3µm
213-050-01	50.8mm/2"	0.001mm/0.00005"	IP54	6µm	3µm
213-010-11	12.7mm/0.5"	0.01mm/0.0005"	IP65	20µm	10µm
213-025-11	25.4mm/1"	0.01mm/0.0005"	IP54	20µm	10µm
213-050-11	50.8mm/2"	0.01mm/0.0005"	IP54	30µm	10µm