

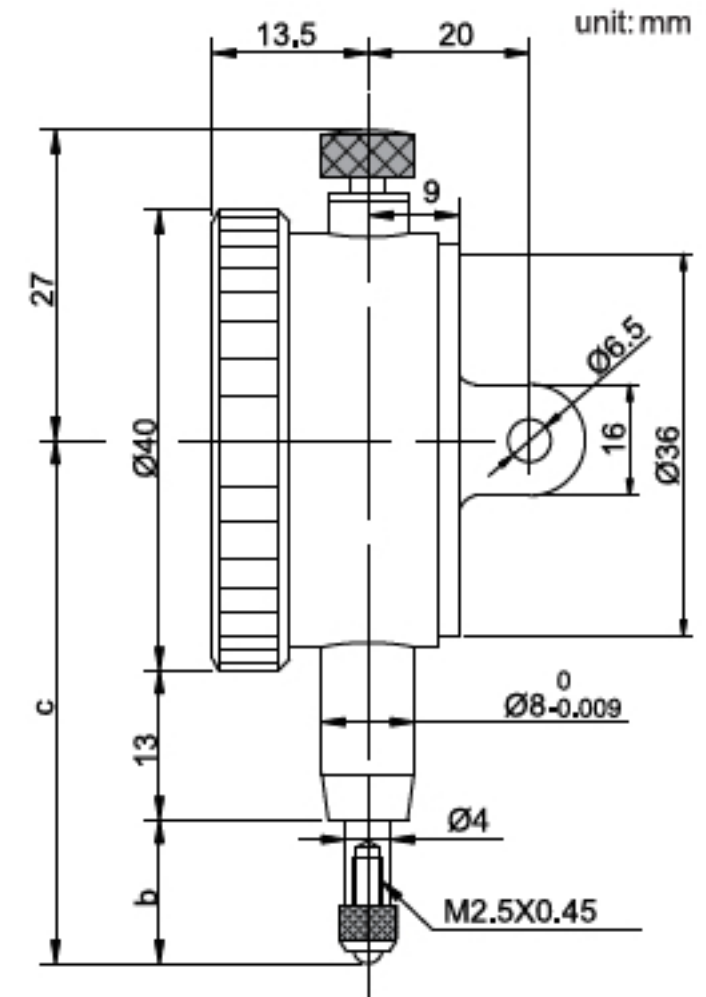
SERIES 228

DIAL INDICATOR

- ◆ Bezel: $\varnothing 40\text{mm}$
- ◆ Graduation: 0.01mm
- ◆ With limit hands
- ◆ Jeweled bearing
- ◆ Rang per revolution: 1mm
- ◆ Supplied with lug and flat back



228-005-11



Code	Range	Accuracy	Hysteresis	Scale	b	c
228-003-11	3mm	14 μm	3 μm	0-100	11mm	44mm
228-005-11	5mm	16 μm	3 μm	0-100	12.5mm	45.5mm