

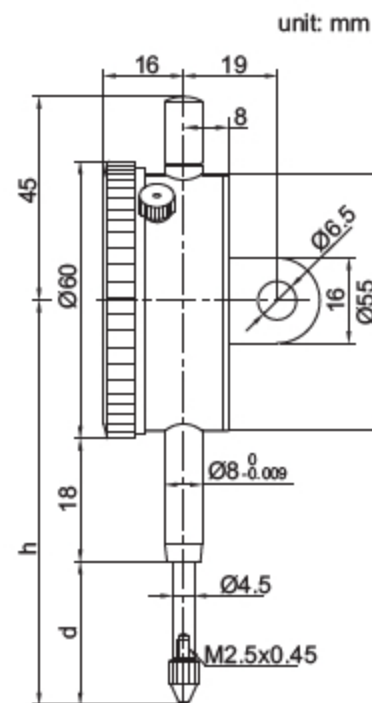
# SERIES 230

# DIAL INDICATOR

- ◆ Supplied with limit hands and bezel clamp



**230-030-11**



Code	Range	Graduation	Accuracy( $f_{ges}$ )	Hysteresis( $f_u$ )	Range/rev	Dial reading	Remark	h	d
230-010-11	10mm	0.1mm	40 $\mu$ m	20 $\mu$ m	10mm	0-10mm	lug back	70mm	20mm
230-030-11	30mm	0.1mm	60 $\mu$ m	20 $\mu$ m	10mm	0-10mm	lug back	90mm	40mm