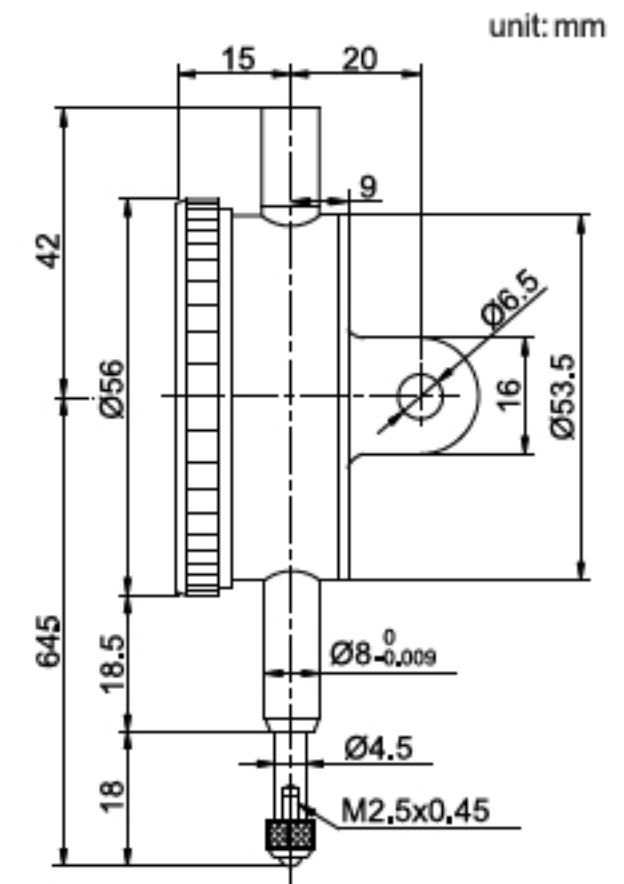


- ◆ Shock proof



232-001-11



Code	Range	Graduation	Accuracy	Hysteresis	Dial reading
232-0005-11	0.5mm	0.01mm	9μm	3μm	25-0-25
232-001-11	1mm	0.01mm	9μm	3μm	50-0-50