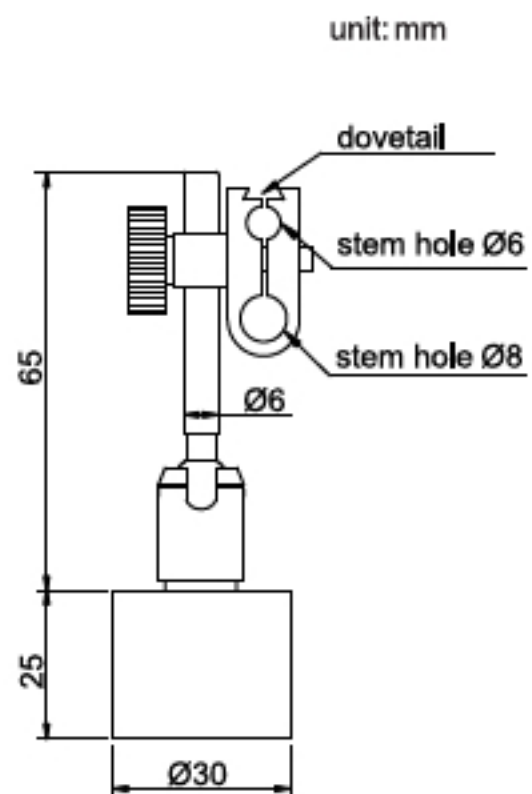


- ◆ For dial test indicators



Code	Magnetic force	Stem hole
288-010-01	10kgf	Ø8mm, Ø6mm