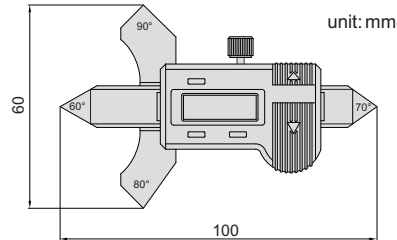
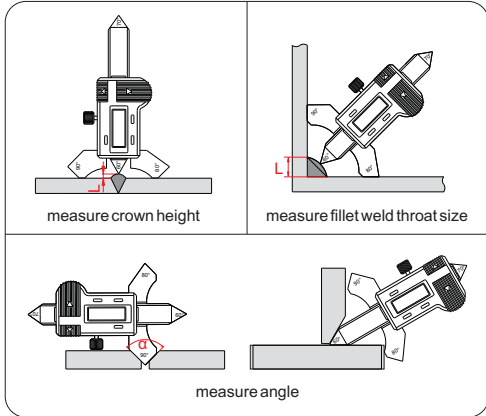


- ◆ Buttons: zero, mm/inch, on/off
- ◆ Made of stainless steel



Code	Range	Accuracy	Resolution	Application
970-010-11	0 - 10mm	±0.03mm	0.01mm/0.0005"	measure crown height
	0 - 20mm	±0.1mm	0.01mm/0.0005"	measure fillet weld throat size
	60°, 70°, 80°, 90°	±1°	—	measure angle