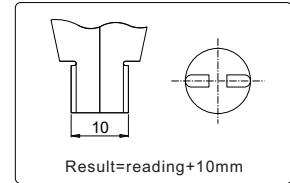
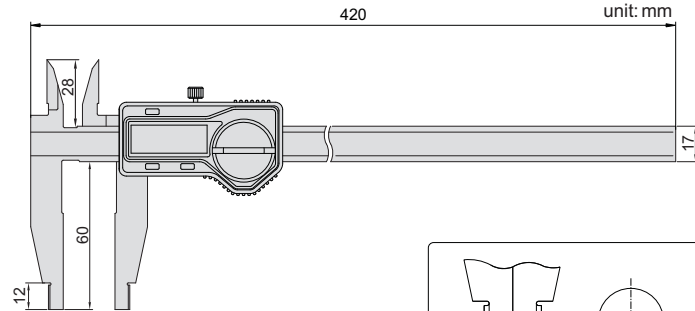
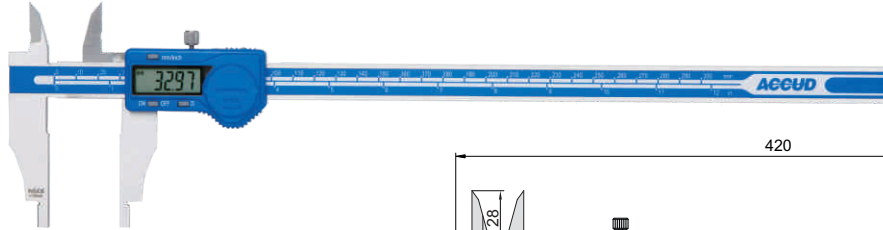


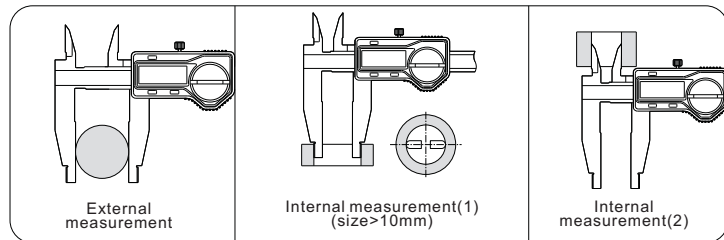
119

DIGITAL CALIPER



- ◆ Resolution: 0.01mm/0.0005"
- ◆ Buttons: on/off, zero, mm/inch
- ◆ Automatic power on/off
- ◆ Data output(cable code: 100-11 or 100-12)
- ◆ Made of stainless steel

Code	Range	Accuracy
119-012-11	0-300mm/0-12"	±0.04mm



AccUD



CALIPER