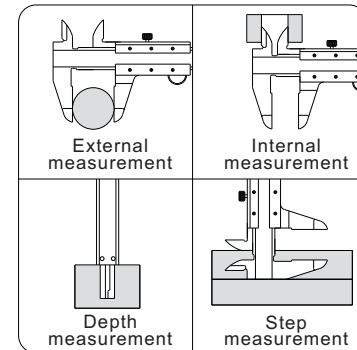


- ◆ Meet DIN862
- ◆ Made of stainless steel
- ◆ Satin chrome plated reading surface



Code	Range	Graduation	Accuracy	L
121-004-11B	0-100mm	0.05mm	±0.05mm	160