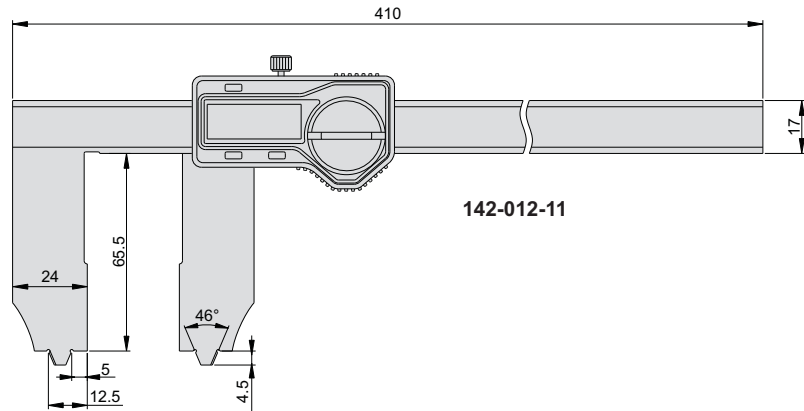
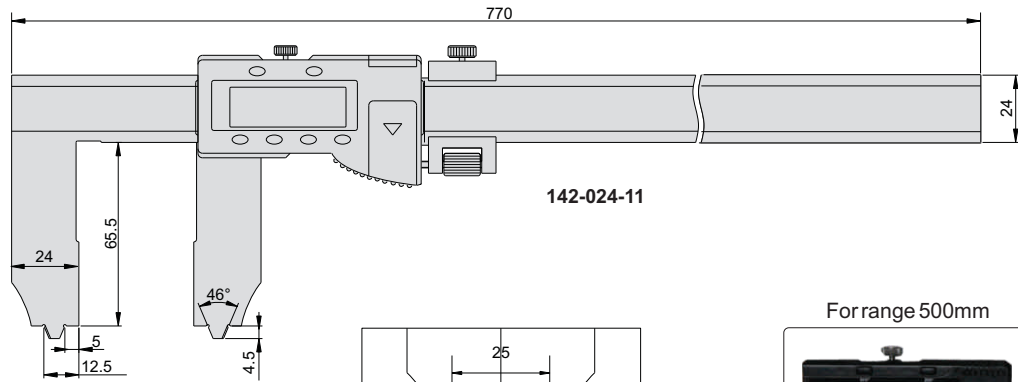


142-012-11

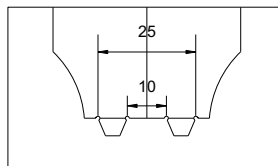
unit: mm



142-012-11



142-024-11

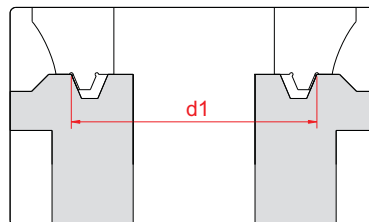


For range 500mm

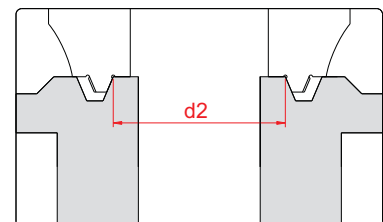


- ◆ Measure ring grooves of flange
- ◆ Resolution: 0.01mm/0.0005"
- ◆ Automatic power on/off
- ◆ Buttons: on/off, zero, mm/inch
- ◆ Data output(cable code: 100-11 or 100-12 for 142-012-11,100-15 for 142-024-11)
- ◆ Made of stainless steel

Measure outside diameter of RTJ ring groove



Measure inside diameter of RTJ ring groove



| Code       | Range (inside diameter of RTJ ring groove) | Range (outside diameter of RTJ ring groove) | Angle of RTJ ring groove | Accuracy |
|------------|--|---|--------------------------|----------|
| 142-012-11 | 10-300mm/0.4-12"                           | 25-300mm/1-12"                              | 23°                      | ±0.06mm  |
| 142-024-11 | 10-600mm/0.4-24"                           | 25-600mm/1-24"                              | 23°                      | ±0.07mm  |