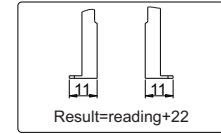
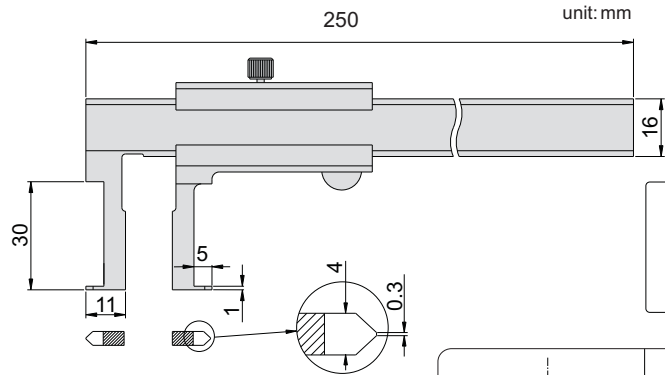




145-006-11



- ◆ Measure the grooves
- ◆ Made of stainless steel
- ◆ Satin chrome plated reading surface

Graduation 0.02mm

Code	Range	Accuracy
145-006-11	22-150mm	±0.04mm

Graduation 0.05mm

Code	Range	Accuracy
145-006-13	22-150mm	±0.05mm

