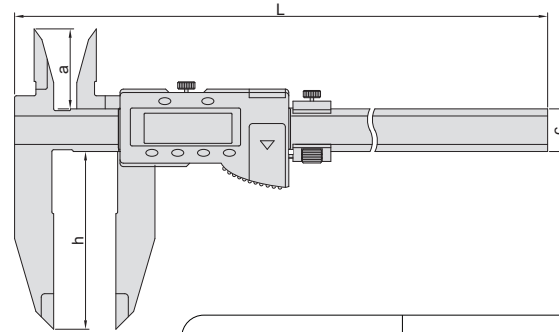


150-018-11

unit: mm



- ◆ Resolution: 0.01mm/0.0005"
- ◆ Button function: on/off, zero, mm/inch, ABS, data preset
- ◆ Data output(cable code:100-15)
- ◆ Made of stainless steel

Code	Range	Accuracy	a	c	h	L
150-018-11	0-450mm/0-18"	±0.05mm	45	24	100	610
150-024-11	0-600mm/0-24"	±0.05mm	45	24	100	770
150-040-11	0-1000mm/0-40"	±0.08mm	60	31	150	1220

