

165

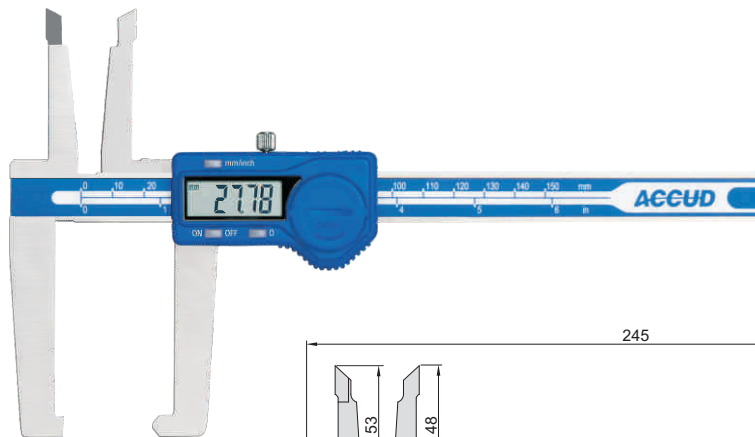
DIGITAL DISK BRAKE AND PAD CALIPER



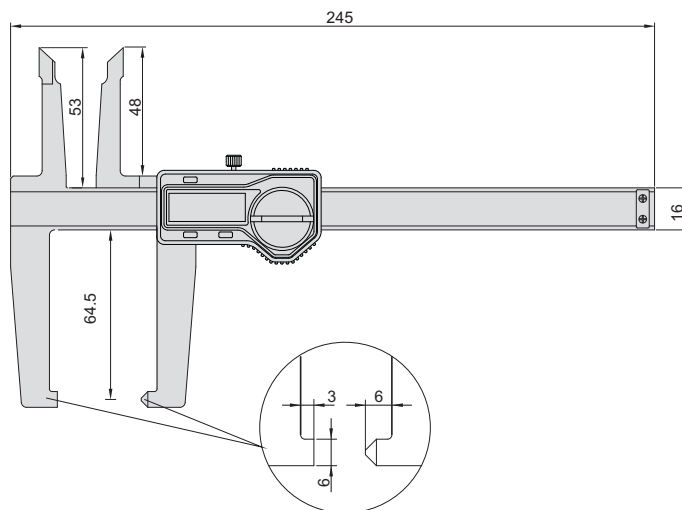
Data output



CR2032



unit: mm



- ◆ Measure thickness of disk brakes and pad wear
- ◆ Resolution: 0.01mm/0.0005"
- ◆ Buttons: on/off, zero, mm/inch
- ◆ Automatic power on/off
- ◆ Data output(cable code: 100-11 or 100-12)
- ◆ Made of stainless steel

Code	Range	Accuracy
165-006-11	0-150mm/0-6"	±0.07mm