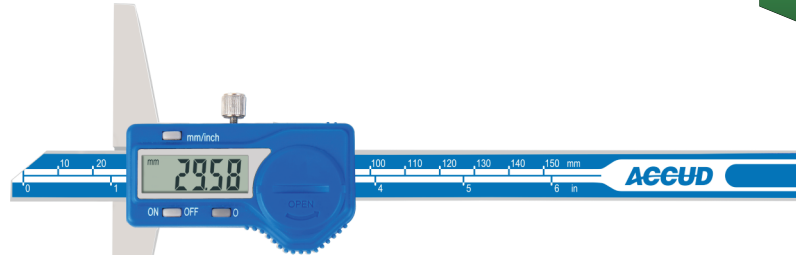
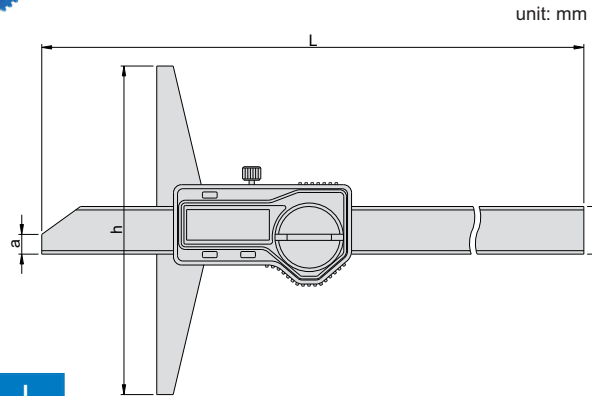


SERIES 171

DIGITAL DEPTH CALIPER

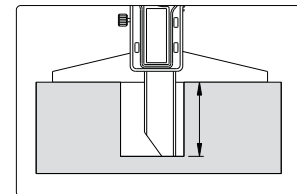


171-006-61P



- ◆ Resolution: 0.01mm/0.0005"
- ◆ Automatic power on/off
- ◆ Buttons: on/off, zero, mm/inch
- ◆ Data output(cable code: 100-11 or 100-12)
- ◆ Made of stainless steel

Code	Range	Accuracy	a	c	h	L
171-006-61P	0-150mm/0-6"	±0.03mm	6	14.5	100	230
171-008-61P	0-200mm/0-8"	±0.03mm	6	14.5	100	280
171-012-61P	0-300mm/0-12"	±0.04mm	6	14.5	150	380
171-020-61P	0-500mm/0-20"	±0.05mm	7	16	150	585
171-024-61P	0-600mm/0-24"	±0.05mm	7	16	150	685



ACCUD

