



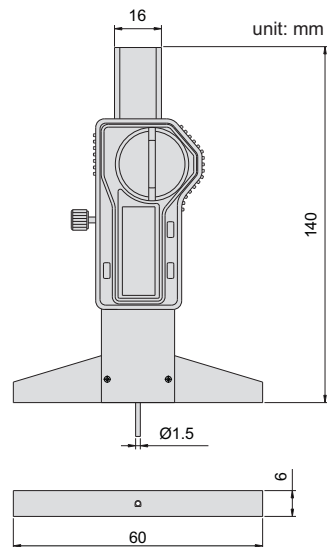
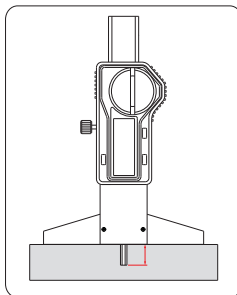
Data output



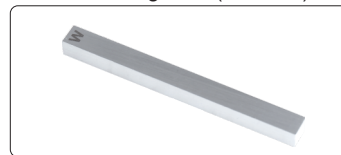
CR2032

- ◆ Measure depth of small groove and hole
- ◆ Resolution: 0.01mm/0.0005"
- ◆ Buttons: on/off, set, mm/inch
- ◆ Automatic power off
- ◆ Data output (cable code: 100-11 or 100-12)
- ◆ Made of stainless steel

Set zero



zero setting block (included)



Code	Range	Accuracy
176-001-21	0-30mm/0-1.2"	±0.03mm