

178-006-11

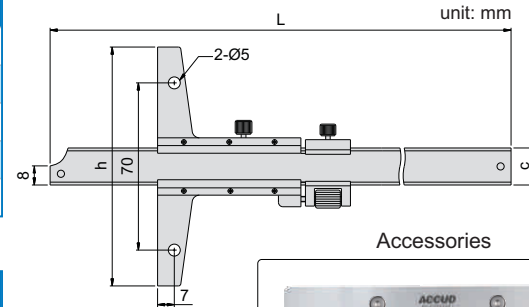
- ◆ With fine adjustment
- ◆ Made of stainless steel
- ◆ Satin chrome plating finish on reading surface
- ◆ Optional accessory: series 170 extension base

Graduation 0.02mm

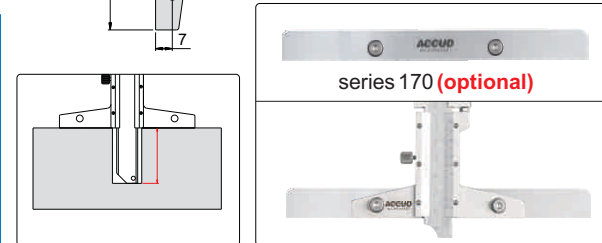
Code	Range	Accuracy	c	h	L
178-006-11	0-150mm	±0.03mm	16	100	256
178-008-11	0-200mm	±0.03mm	16	100	306
178-012-11	0-300mm	±0.04mm	16	100	406
178-024-11	0-600mm	±0.05mm	16	150	720
178-040-11	0-1000mm	±0.07mm	18	200	1140

Graduation 0.05mm

Code	Range	Accuracy	c	h	L
178-006-13	0-150mm	±0.05mm	16	100	256
178-008-13	0-200mm	±0.05mm	16	100	306
178-012-13	0-300mm	±0.08mm	16	100	406
178-024-13	0-600mm	±0.10mm	16	150	720
178-040-13	0-1000mm	±0.15mm	18	200	1140



Accessories



series 170 (optional)