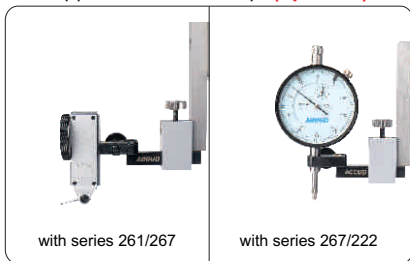


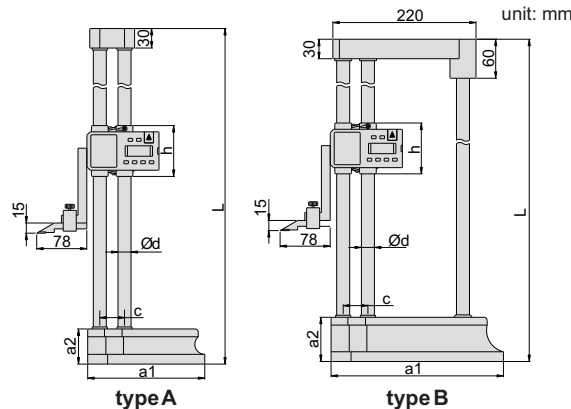


- ◆ Resolution: 0.01mm/0.001"
- ◆ Buttons: on/off, inch/mm, ABS/INC, data preset, set data
- ◆ Carbide tipped scriber
- ◆ Made of stainless steel beam
- ◆ With driving wheel
- ◆ Optional accessory: 267 series clamps

Application with clamps **(optional)**



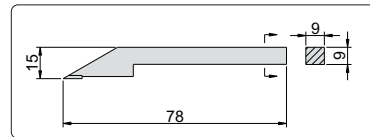
**182-012-11**



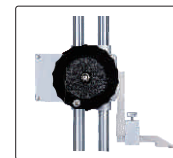
Carbide tipped jaws



Scriber **(included)**



driving wheel



Code	Range	Type	Accuracy	a1	a2	c	Ød	h	L
<b>182-012-11</b>	0-300mm/0-12"	A	±0.04mm	135	43	33	15	84	475
<b>182-024-11</b>	0-600mm/0-24"	A	±0.05mm	180	54	38	20	88	810
<b>182-040-11</b>	0-1000mm/0-40"	B	±0.05mm	265	68	38	20	88	1230