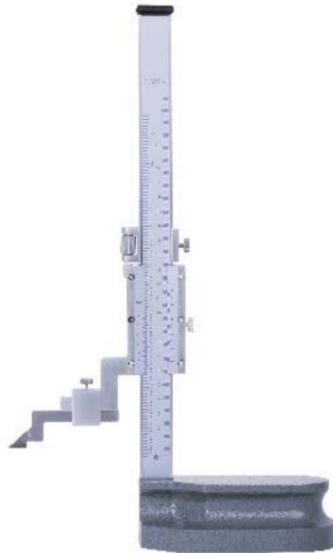


SERIES 186

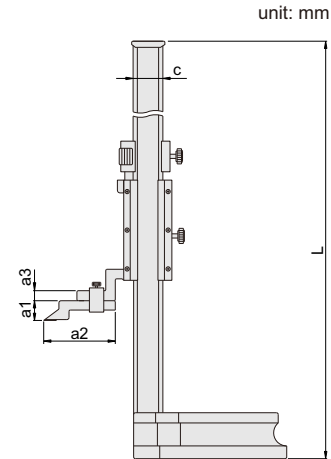
VERNIER HEIGHT GAGE

- ◆ Graduation: 0.02mm/0.001"
- ◆ Carbide tipped scriber
- ◆ Made of stainless steel (except the base)
- ◆ Satin chrome plated scale
- ◆ With clamps

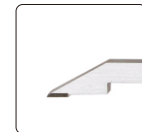
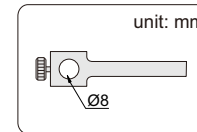
Application with clamps (optional)



186-008-61P



Clamp (included) Carbide tipped jaws



Code	Range	Accuracy	a1	a2	a3	c	D	E	L
186-008-61P	0-200mm/0-8"	±0.03mm	25	76	10	23	6	8	370
186-012-61P	0-300mm/0-12"	±0.04mm	25	76	10	23	6	8	470
186-020-61P	0-500mm/0-20"	±0.05mm	25	105	12	30	10	12	720
186-040-61P	0-1000mm/0-40"	±0.07mm	39	110	15	50	10	15	1275
186-060-61P	0-1500mm/0-60"	±0.11mm	39	110	15	50	10	15	1790
186-080-61P	0-2000mm/0-80"	±0.14mm	39	110	15	50	10	15	2290

Scriber (included)

