

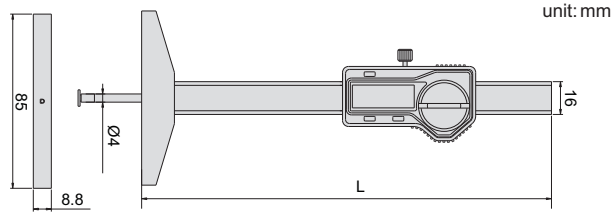
SERIES 193

DIGITAL DEPTH CALIPER WITH ROUND DEPTH BAR

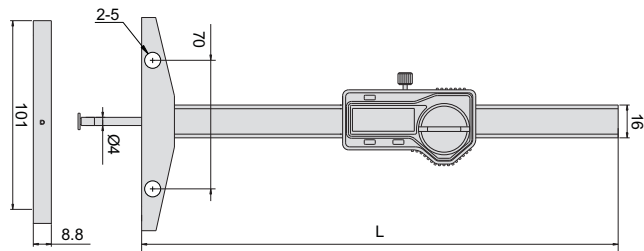


193-004-11

- ◆ Resolution: 0.01mm/0.0005"
- ◆ Supplied with three interchangeable points (flat, spherical, disk)
- ◆ Buttons: on/off, set, mm/inch
- ◆ Automatic power off
- ◆ Data output (cable code: 100-11 or 100-12)
- ◆ Made of stainless steel



unit: mm



193-006-11, 193-008-11 and 193-012-11

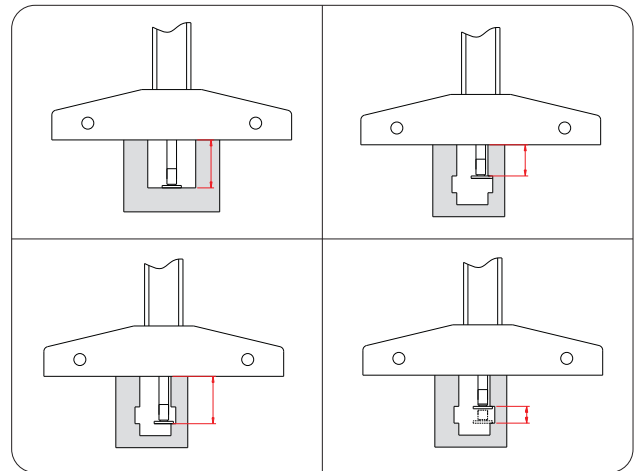
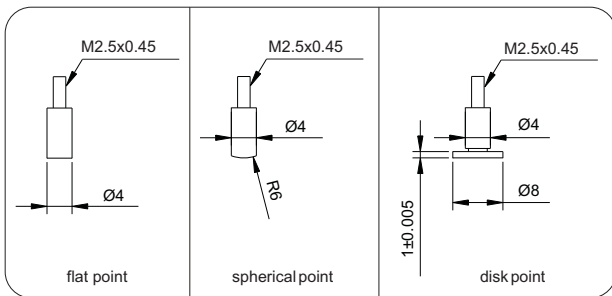
Accessory application



170 series (optional)

DEPTH

points (include)



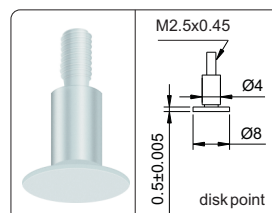
| Code | Range | Accuracy | L |
|------------|---------------|----------|-----|
| 193-004-11 | 0-100mm/0-4" | ±0.02mm | 200 |
| 193-006-11 | 0-150mm/0-6" | ±0.03mm | 300 |
| 193-008-11 | 0-200mm/0-8" | ±0.03mm | 300 |
| 193-012-11 | 0-300mm/0-12" | ±0.04mm | 400 |

* NEW

OPTIONAL ACCESSORIES

| Code | Description | Remark |
|---------|------------------|-------------------------------|
| 193-T04 | 0.5mm disk point | for grooves inside blind hole |
| 193-T05 | 0.5mm disk point | for narrow grooves |

193-T04 (optional)



193-T05 (optional)

