

## 195

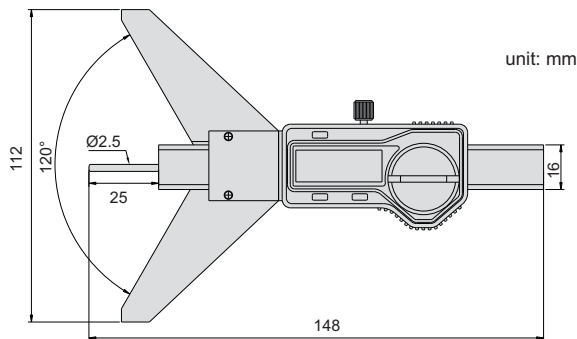
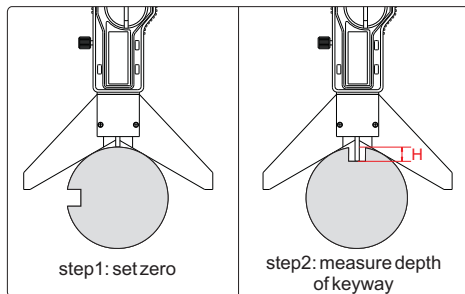
### DIGITAL KEYWAY GAUGE



- ◆ Measure the depth of keyway
- ◆ Resolution: 0.01mm/0.0005"
- ◆ Buttons: on/off, zero, mm/inch
- ◆ Automatic power on/off
- ◆ Data output(cable code : 100-11 or 100-12)
- ◆ Made of stainless steel



Measure



Code	Range	Accuracy
195-002-11	0-50mm/0-2"	±0.03mm

