

SERIES 197

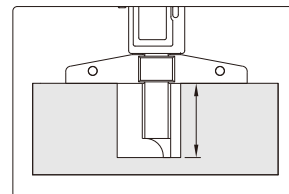
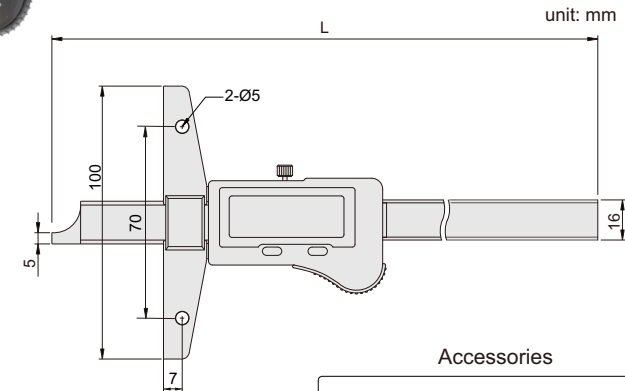
IP67 WATERPROOF DIGITAL DEPTH CALIPER WITH HOLES



197-006-21

- ◆ IP67 protection level
- ◆ Absolute measuring system
- ◆ Resolution: 0.01mm/0.0005"
- ◆ Automatic power off
- ◆ Buttons: zero, mm/inch, data preset
- ◆ Made of stainless steel
- ◆ Optional accessory: series 170 extension base

| Code | Range | Accuracy | L |
|------------|---------------|----------|-----|
| 197-006-21 | 0-150mm/0-6" | ±0.02mm | 237 |
| 197-008-21 | 0-200mm/0-8" | ±0.02mm | 287 |
| 197-012-21 | 0-300mm/0-12" | ±0.03mm | 403 |



Accessories

