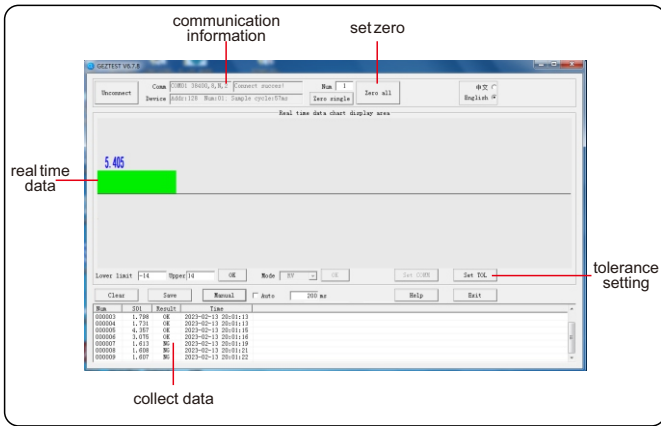


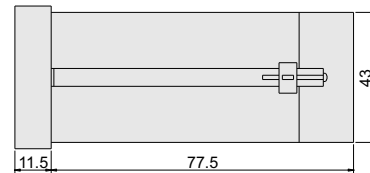
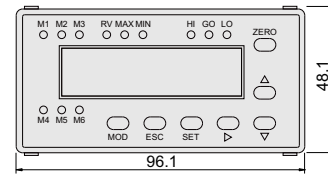
- ◆ High and low limits with judgement
- ◆ With control signal input interface
- ◆ With input/output interface
- ◆ Power: supply DC9-24V



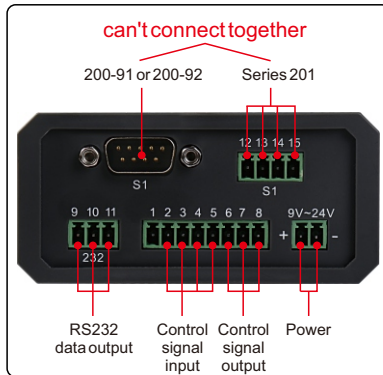
Software(included)



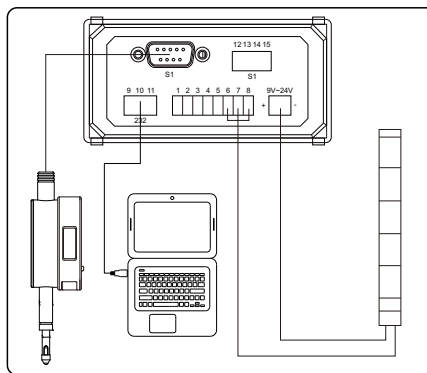
unit: mm



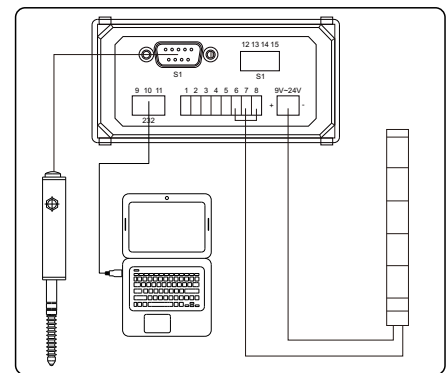
Signal



Connected digital indicator



Connected linear gauge



Code	206-010-01
Display	6 digits
Quantity of linear gauge or digital indicator to be connected	1pc
Tolerance signal	tolerance and judgement with alarm and lights(out of upper tolerance, within tolerance, out of lower tolerance)
Output control	output the tolerance judgement (out of upper tolerance, within tolerance, out of lower tolerance) to control external devices
External control	control the display units from external devices (set zero, hold reading and collect data)
Data output	connect to computer software and serial communication port
Power supply	DC 9-24V

206-13(Optional)



OPTIONAL ACCESSORIES *NEW

Code	Name	Power	Remark
206-13	alarm lamp	12V	with buzzer