

SERIES 212

DIGITAL INDICATOR

- ◆ Button: on/off, zero, inch/mm conversion, measuring direction set, data preset absolute/incremental measurement
- ◆ Data output(cable code:200-03 or 200-04)
- ◆ Automatic power off
- ◆ Supplied with flat and lug back



VIDEO



212-010-13



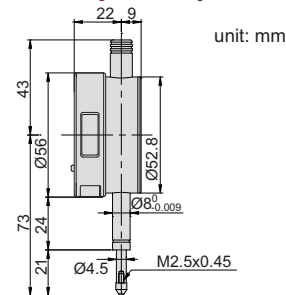
Certificate



Data output



CR2032

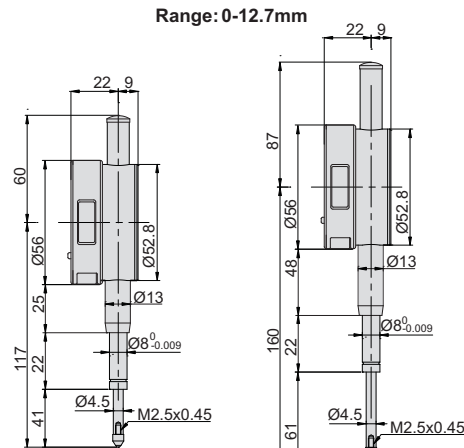


Resolution 0.001mm/0.00005"

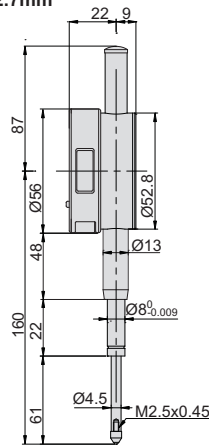
Code	Range	Accuracy	Hysteresis
212-010-03	12.7mm/0.5"	5μm	2μm
212-025-03	25.4mm/1"	5μm	3μm
212-050-03	50.8mm/2"	6μm	3μm

Resolution 0.01mm/0.0005"

Code	Range	Accuracy	Hysteresis
212-010-13	12.7mm/0.5"	20μm	10μm
212-025-13	25.4mm/1"	20μm	10μm
212-050-13	50.8mm/2"	30μm	10μm



Range: 0-25.4mm



Range: 0-50.8mm