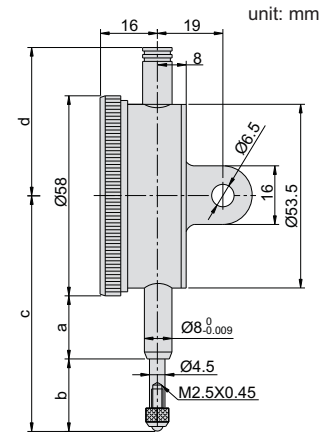


SERIES 221

DIAL INDICATOR



- ◆ Graduation: 0.001mm
- ◆ With limit hands
- ◆ Jeweled bearing
- ◆ Rang per revolution: 0.2mm
- ◆ Supplied with lug and flat back



Styli (optional)



Series 270

Application



221-001-01

Code	Range	Scale	Accuracy	Hysteresis	a	b	c	d
221-001-01	1mm	0-200	5µm	2µm	15	19.5	62.5	45
221-003-01	3mm	0-200	10µm	4µm	10	21.5	59.5	41.5
221-005-01	5mm	0-200	10µm	4µm	10	21.5	59.5	41.5



ACCUD