

SERIES 222

DIAL INDICATOR



- ◆ Graduation: 0.01mm
- ◆ With limit hands
- ◆ Jeweled bearing
- ◆ Range per revolution: 1mm
- ◆ With lock screw



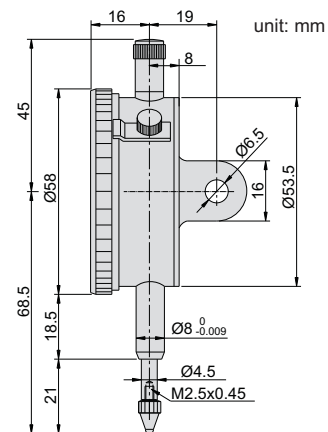
222-010-11

Styli (optional)



Series 270

Application



Code	Range	Back	Accuracy	Hysteresis	Scale
222-003-11	3mm	lug	14µm	3µm	0-100
222-005-11	5mm	lug	16µm	3µm	0-100
222-010-11	10mm	lug	17µm	3µm	0-100
222-003-12	3mm	flat	14µm	3µm	0-100
222-005-12	5mm	flat	16µm	3µm	0-100
222-010-12	10mm	flat	17µm	3µm	0-100