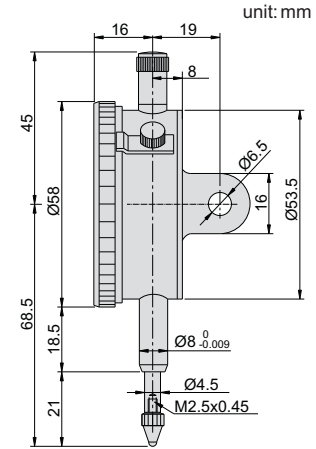




- ◆ Graduation: 0.01mm
- ◆ With limit hands
- ◆ Range per revolution: 1mm
- ◆ With lock screw



223-010-11

Styli (optional)



Series 270

Application



Code	Range	Back	Accuracy	Hysteresis	Scale
223-010-11	10mm	lug	20µm	3µm	0-100
223-010-12	10mm	flat	20µm	3µm	0-100