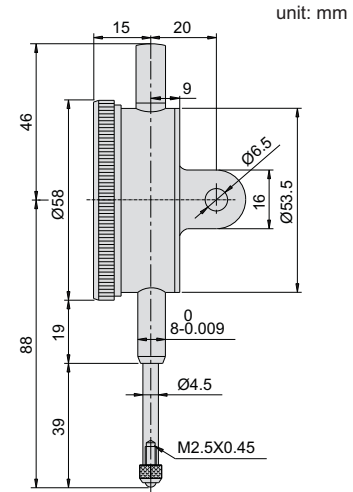


- ◆ Graduation: 0.01mm
- ◆ With limit hands
- ◆ Rang per revolution: 1mm
- ◆ Supplied with lug and flat back

Styli **(optional)**

Application



Code	Range	Accuracy	Hysteresis	Scale
229-025-11	25mm	35µm	7µm	0-100