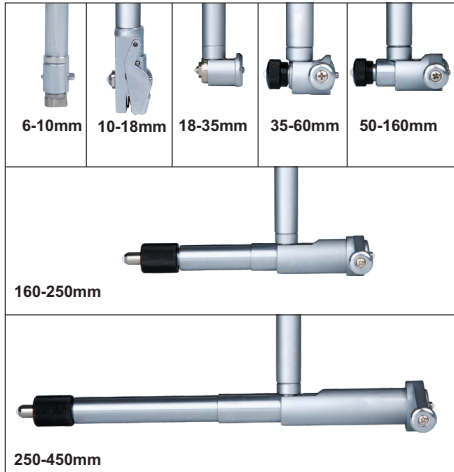


SERIES 241

DIGITAL BORE GAUGE



- ◆ With min. value tracking function, get the diameter automatically
- ◆ Optional accessory: series 531 setting rings



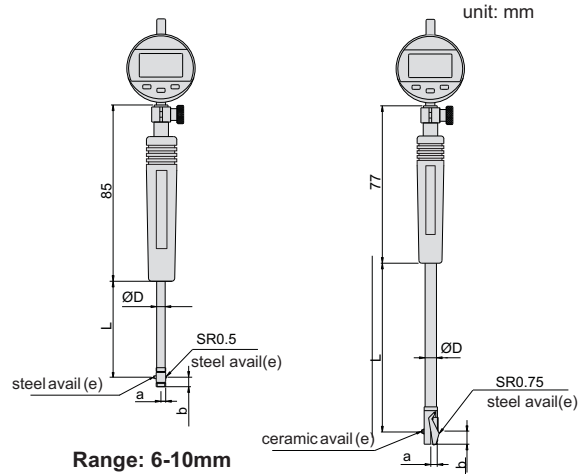
Bore gauge setter for setting zero (optional)



Setting ring (optional)

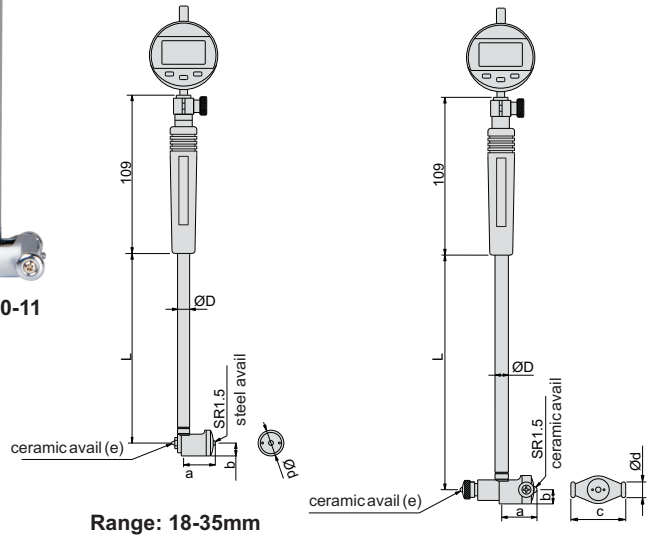


241-160-11



Range: 6-10mm

Range: 10-18mm



Range: 18-35mm

Range: 35-450mm

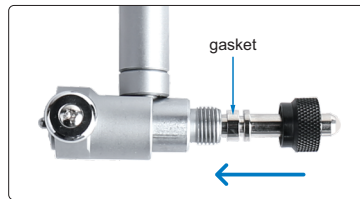
Measuring tips (included)



gasket (included)



Install tips



Code	Range	Digital indicator	Tips	Gasket	Accuracy	Repeatability	a	b	c	Ød	ØD	e	L
241-010-11	6-10mm	Range: 12.7mm resolution: 0.002mm	9pcs	2pcs	±0.012mm	3µm	3.6	5.7	/	/	4.5	SR1	48
241-018-11	10-18mm		9pcs	2pcs	±0.012mm	3µm	5.6	7.8	/	/	6	SR1	105
241-035-11	18-35mm		9pcs	2pcs	±0.015mm	3µm	12.2	6.4	/	12.7	9	SR1	141
241-060-11	35-60mm		6pcs	4pcs	±0.018mm	3µm	12.2	9	27	13	12.8	SR2	141
241-100-11	50-100mm		11pcs	4pcs	±0.018mm	3µm	26	9	35	13	12.8	SR2	141
241-160-11	50-160mm		12pcs	4pcs	±0.018mm	3µm	26	9	35	13	12.8	SR2	141
241-160-12	100-160mm		12pcs	4pcs	±0.018mm	3µm	26	9	35	13	12.8	SR2	141
241-250-11	160-250mm		5pcs	5pcs	±0.018mm	3µm	56.5	13	74.5	15	14.5	SR3.5	400
241-450-11	250-450mm		5pcs	5pcs	±0.018mm	3µm	86.5	15	101.5	15	14.5	SR3.5	400