



260-002-02



260-010-01

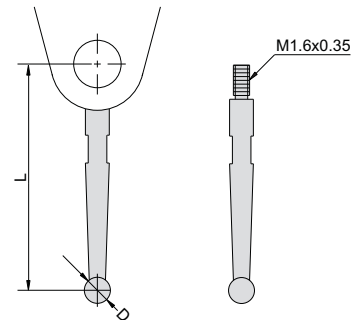
(For 261-008-11 and 261-008-12)



260-009-01

(For 261-002-01 and 261-002-02)

Code	For products	Tip material	D(mm)	L(mm)
260-001-01	261-008-11	steel	SØ1	16.5
260-002-02	261-008-12 266-016-11	carbide	SØ2	16.5
260-003-02	264-008-11	carbide	SØ3	16.5
260-010-01	265-008-11	ruby	SØ2	16.5
260-009-01	261-002-01 261-002-02	ruby	SØ2	15
260-010-02	263-008-11	carbide	SØ2	30.5
260-010-03	263-008-11L	ruby	SØ2	46.4



unit: mm