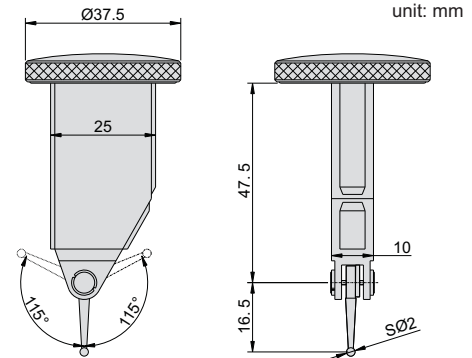


264

## BACK PLUNGER TYPE DIAL TEST INDICATOR



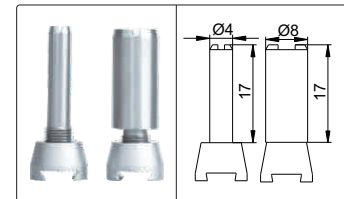
- ◆ Jeweled bearing
- ◆ Carbide contact point
- ◆ Two measuring directions
- ◆ Anti magnetic body
- ◆ Supplied with two clamps: diameter Ø4mm and Ø8mm
- ◆ Optional accessory: styli



Application



Clamps (included)



Code	Range	Graduation	Accuracy(fges)	Hysteresis(fu)	Dial Reading
264-008-11	0.8mm	0.01mm	13µm	3µm	0-40-0



AGGUD