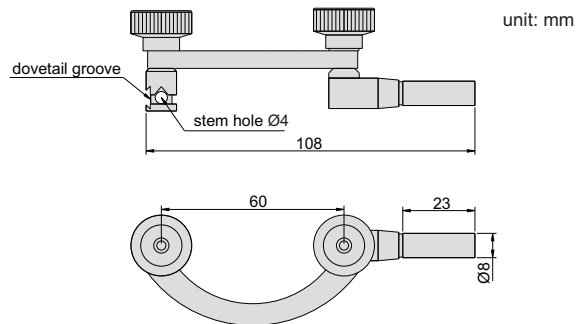


269

## DIAL TEST INDICATOR CENTERING HOLDER

- ◆ Center cylinders or holes on a machine tool

Application



Code

269-060-01