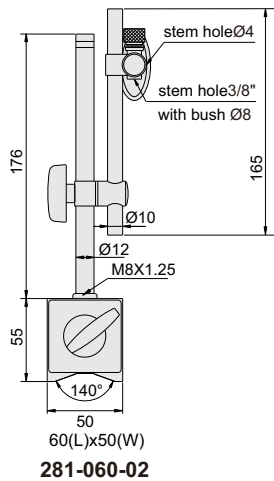


## SERIES 281

## MAGNETIC STAND

- ◆ For dial/digital indicators and dial test indicators
- ◆ V-block base

### Application

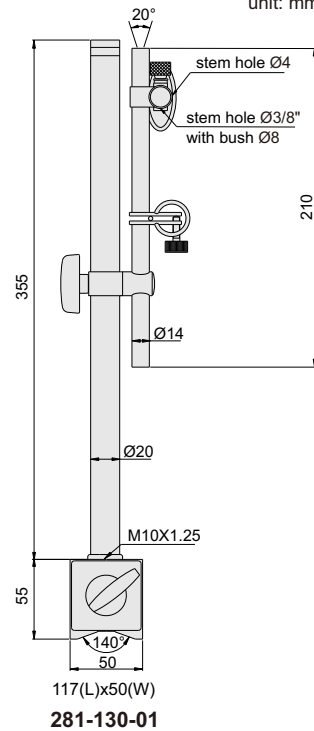
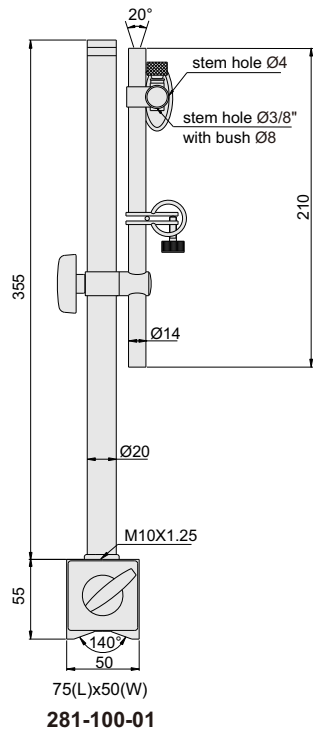
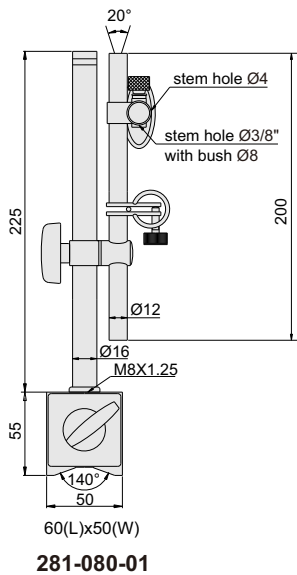
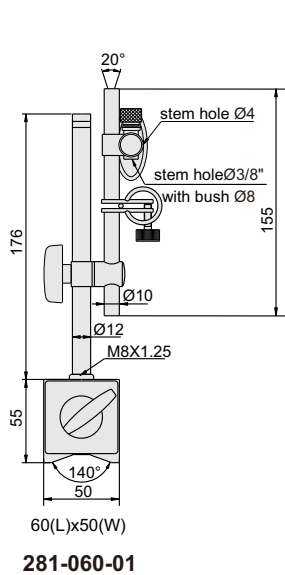


**281-060-02**



**281-080-01**

unit: mm



Code	Stem hole	Magnetic force	Fine adjustment
281-060-01	Ø8mm, Ø4mm, 3/8"	60kgf	With
281-060-02	Ø8mm, Ø4mm, 3/8"	60kgf	Without
281-080-01	Ø8mm, Ø4mm, 3/8"	80kgf	With
281-100-01	Ø8mm, Ø4mm, 3/8"	100kgf	With
281-130-01	Ø8mm, Ø4mm, 3/8"	130kgf	With