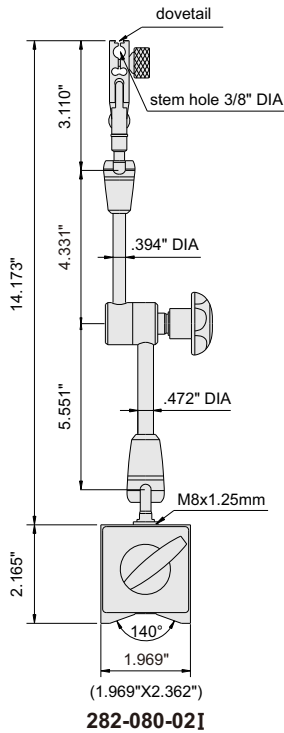
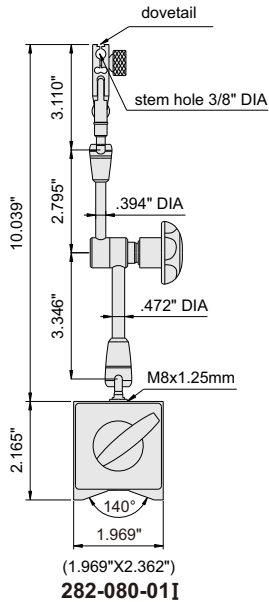
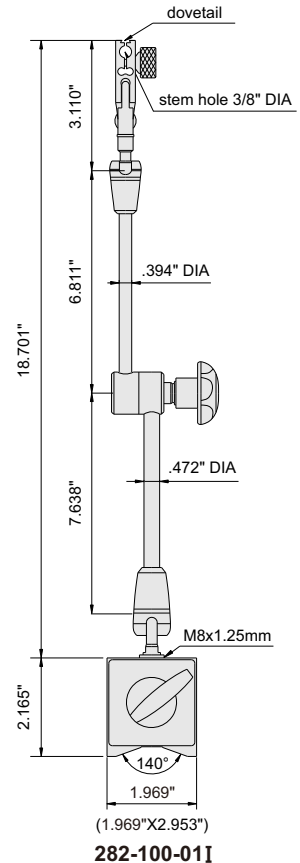


- ◆ For dial/digital indicators and dial test indicators
- ◆ Stem hole: 3/8" DIA
- ◆ With find adjustment and dovetail
- ◆ V-block base

### Application



**282-080-01I**



Code	Magnetic force
282-080-01I	80kgf
282-080-02I	80kgf
282-100-01I	100kgf