

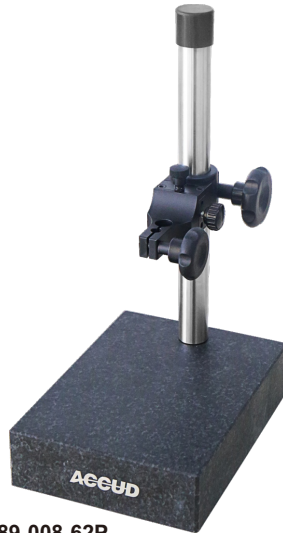
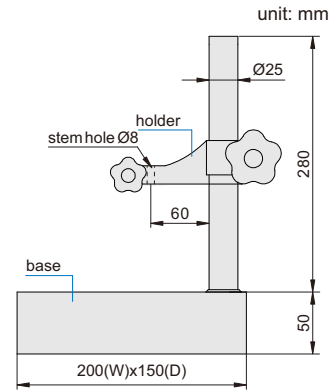
- ◆ Vertical travel of holder: 170mm
- ◆ Supplied with dust cover



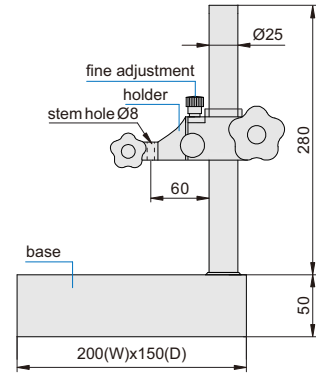
Application



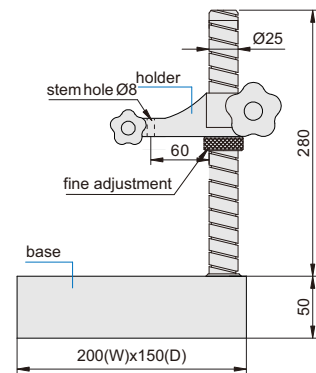
289-008-61P



289-008-62P



289-008-63P



Code	Stem hole	Base flatness	Remark
289-008-61P	Ø8mm	2.5µm	without fine adjustment
289-008-62P	Ø8mm	2.5µm	with fine adjustment, fine adjustment range 2mm
289-008-63P	Ø8mm	2.5µm	with fine adjustment