

296

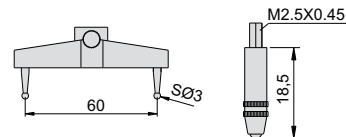
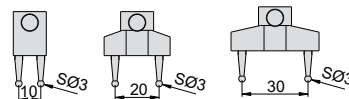
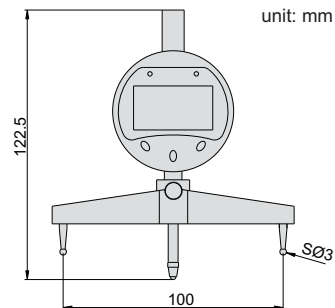
## DIGITAL RADIUS GAUGE

- ◆ Measure radius of internal and external arcs
- ◆ Accuracy:  $\pm 0.01R$ , R is the radius to be measured in mm
- ◆ Data output (cable code: 200-01 or 200-02)
- ◆ Supplied with 5 jaws for different sizes of arc

Measure shaft



Measure bore



Code	Range of radius	Resolution
296-700-11	5-700mm/0.2-27.5"	0.01mm/0.001"