

**SERIES 301**

**NON ROTATING SPINDLE UNIVERSAL MICROMETER**

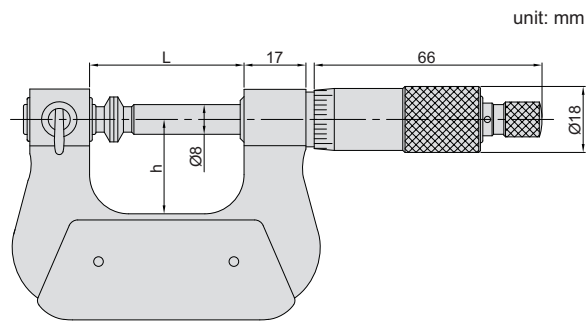
- ◆ Graduation 0.01mm
- ◆ Non-rotating spindle
- ◆ Ratchet stop
- ◆ Supplied with 7 pairs of anvil/spindle tips
- ◆ Setting standards are included (except 0-25mm)
- ◆ Optional accessory: 55° anvil/spindle tip



301-001-01

**standard anvil/spindle tip**

<b>Flat</b>		
<b>Spherical</b>		
<b>Spline</b>		
<b>Disk</b>		
<b>Blade</b>		
<b>Knife-edge</b>		
<b>Point</b>		



unit: mm

**optional 55° anvil/spindle tip**

<b>301-000-01</b> Knife-edge		
<b>301-000-02</b> Point		

Code	Range	Accuracy	L	h	Setting standards(included)
301-001-01	0-25mm	4µm	42	26	-
301-002-01	25-50mm	4µm	67	38	25mm
301-003-01	50-75mm	5µm	92	50	50mm
301-004-01	75-100mm	5µm	118	62	75mm
301-005-01	100-125mm	6µm	143	70	100mm
301-006-01	125-150mm	6µm	168	82	125mm
301-007-01	150-175mm	7µm	192	95	150mm
301-008-01	175-200mm	7µm	217	107	175mm

Setting standards(included)

