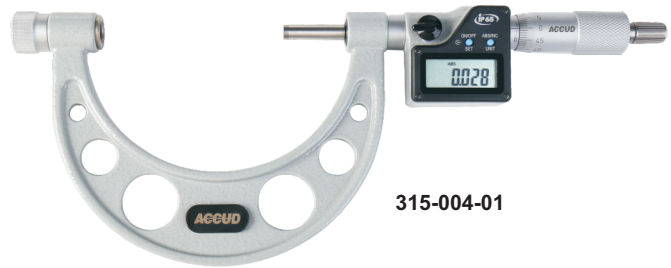
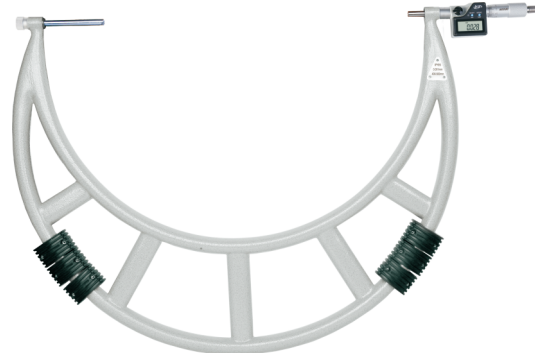




- ◆ Resolution 0.001mm/0.0001" (resolution of **315-004-01** and **315-006-01** is 0.001mm/0.0005")
- ◆ IP65 protection level
- ◆ Button: on/off, set, mm/inch, ABS/INC, data output
- ◆ Automatic power off
- ◆ Data output
- ◆ Carbide measuring faces
- ◆ Supplied with setting standards

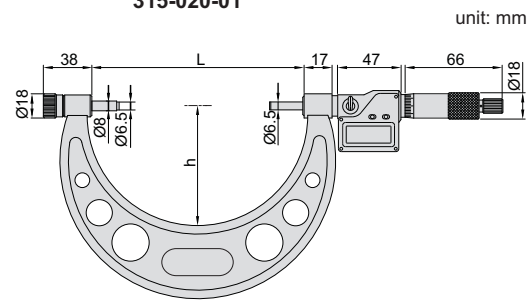


315-004-01

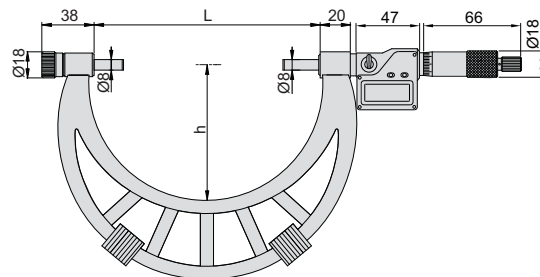


315-020-01

Setting standards (included)



type A



type B

Code	Range	Accuracy	L	h	Type	Setting standards (included)
315-004-01	0-100mm/0-4"	±5µm	105	57	A	25,50,75mm
315-006-01	0-150mm/0-6"	±6µm	155	82	A	25,50,75,100,125mm
315-012-01	150-300mm/6-12"	±8µm	305	165	A	150,175,200,225,250,275mm
315-012-02	200-300mm/8-12"	±8µm	305	165	A	200,225,250,275mm
315-016-01	300-400mm/12-16"	±9µm	405	224	B	325,375mm
315-020-01	400-500mm/16-20"	±11µm	505	275	B	425,475mm
315-024-01	500-600mm/20-24"	±12µm	605	321	B	525,575mm
315-028-01	600-700mm/24-28"	±13µm	705	371	B	625,675mm
315-032-01	700-800mm/28-32"	±15µm	805	426	B	725,775mm
315-036-01	800-900mm/32-36"	±16µm	905	476	B	825,875mm
315-040-01	900-1000mm/36-40"	±17µm	1005	576	B	925,975mm