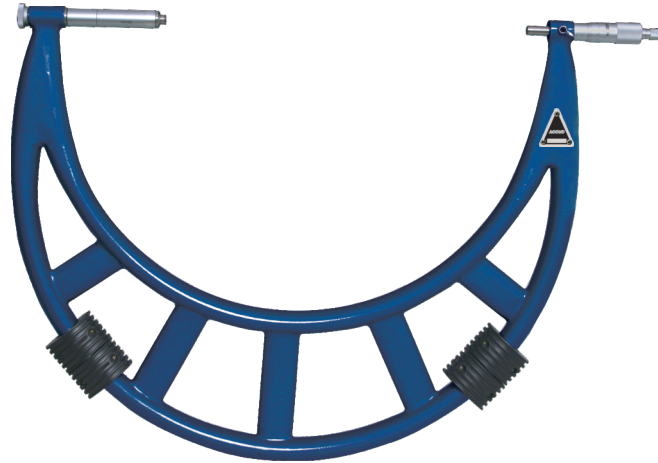


SERIES 329

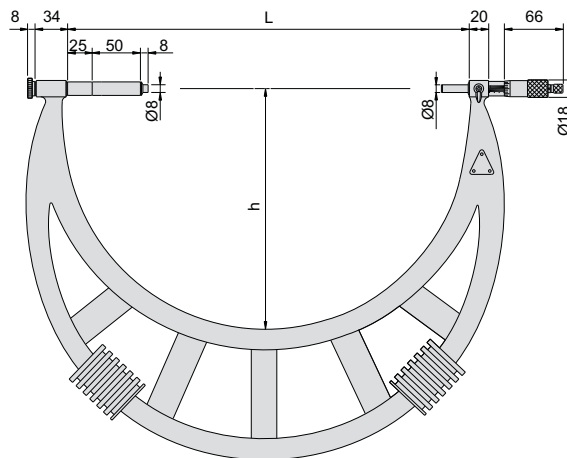
OUTSIDE MICROMETER WITH EXTENSION ANVIL

- ◆ Adjust collars for different measuring ranges
- ◆ Graduation 0.01 mm
- ◆ Ratchet stop
- ◆ Carbide measuring faces
- ◆ Supplied with setting standards

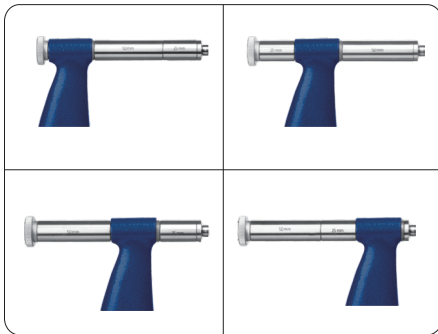


329-016-01

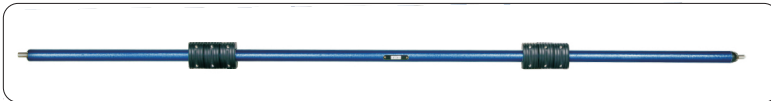
unit: mm



Adjust collars for different measuring ranges



Setting standards(included)



Code	Range	Accuracy	L	h	Setting standards(included)
329-016-01	300-400mm	11µm	410	250	325,375mm
329-020-01	400-500mm	13µm	510	275	425,475mm
329-024-01	500-600mm	14µm	610	320	525,575mm
329-028-01	600-700mm	16µm	710	370	625,675mm
329-032-01	700-800mm	18µm	810	425	725,775mm
329-036-01	800-900mm	20µm	910	475	825,875mm
329-040-01	900-1000mm	22µm	1010	575	925,975mm
329-048-01	1000-1200mm	22µm	1210	645	1050,1150mm
329-056-01	1200-1400mm	24µm	1410	745	1250,1350mm
329-064-01	1400-1600mm	28µm	1610	845	1450,1550mm
329-072-01	1600-1800mm	31µm	1810	945	1650,1750mm
329-080-01	1800-2000mm	34µm	2010	1045	1850,1950mm