

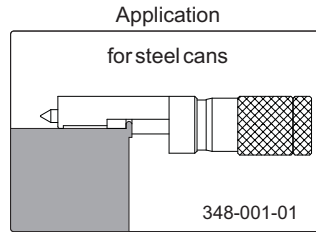
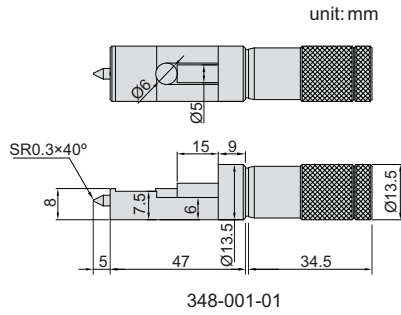
**SERIES 348**

**CAN SEAM MICROMETER**

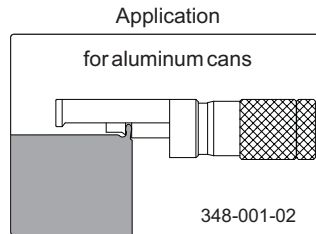
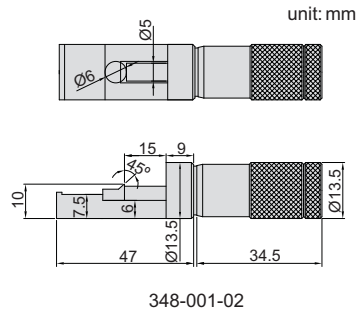
- ◆ Measure the width, height and depth of can seams
- ◆ Graduation 0.01mm



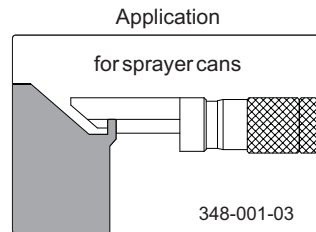
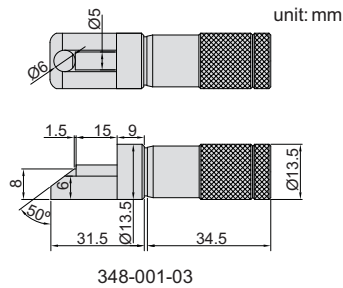
**348-001-01**



**348-001-02**



**348-001-03**



Code	Range	Accuracy
348-001-01	0-13mm	4µm
348-001-02	0-13mm	4µm
348-001-03	0-13mm	4µm