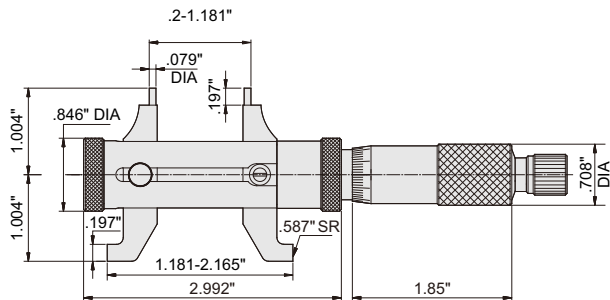
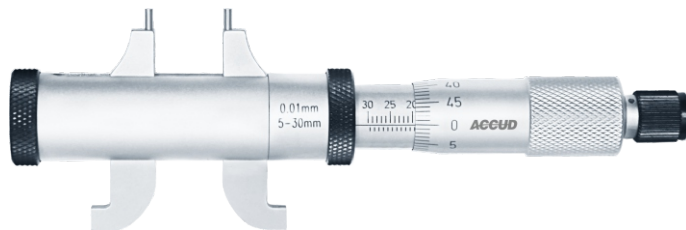


## 351

## INSIDE MICROMETER

- ◆ Graduation: .001"
- ◆ Carbide measuring faces
- ◆ Ratchet stop



Setting ring (included)



Code	Range	Accuracy
351-001-E21	.2-2.2"	.00016"