

SERIES 356

DIGITAL INSIDE MICROMETER

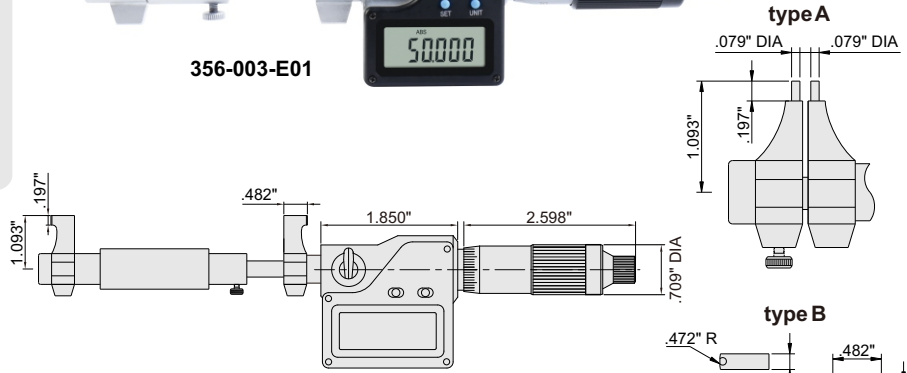
ATTENTION: LOW PARALLELISM OF TWO MEASURING FACES



- ◆ Resolution .00005"/0.001mm
- ◆ Button function: on/off, set, mm/inch, ABS/INC, data output
- ◆ Data output
- ◆ Automatic power off
- ◆ Ratchet stop
- ◆ Carbide measuring faces

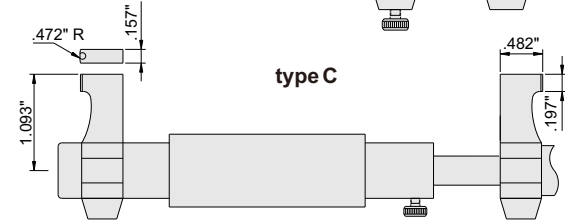
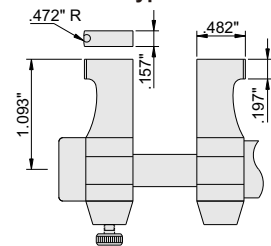


356-003-E01



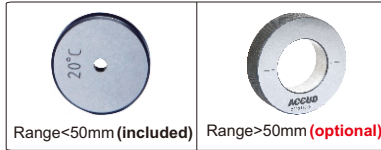
type A

type B



type C

Setting ring



Code	Range	Accuracy	Type	Setting ring
356-001-E01	.2-1.2"/5-30mm	±.00020"	A	.2"
356-002-E01	1-2"/25-50mm	±.00025"	B	1"
356-003-E01	2-3"/50-75mm	±.00030"	C	optional
356-004-E01	3-4"/75-100mm	±.00035"	C	optional

INSIDE/OUTSIDE MEASUREMENT