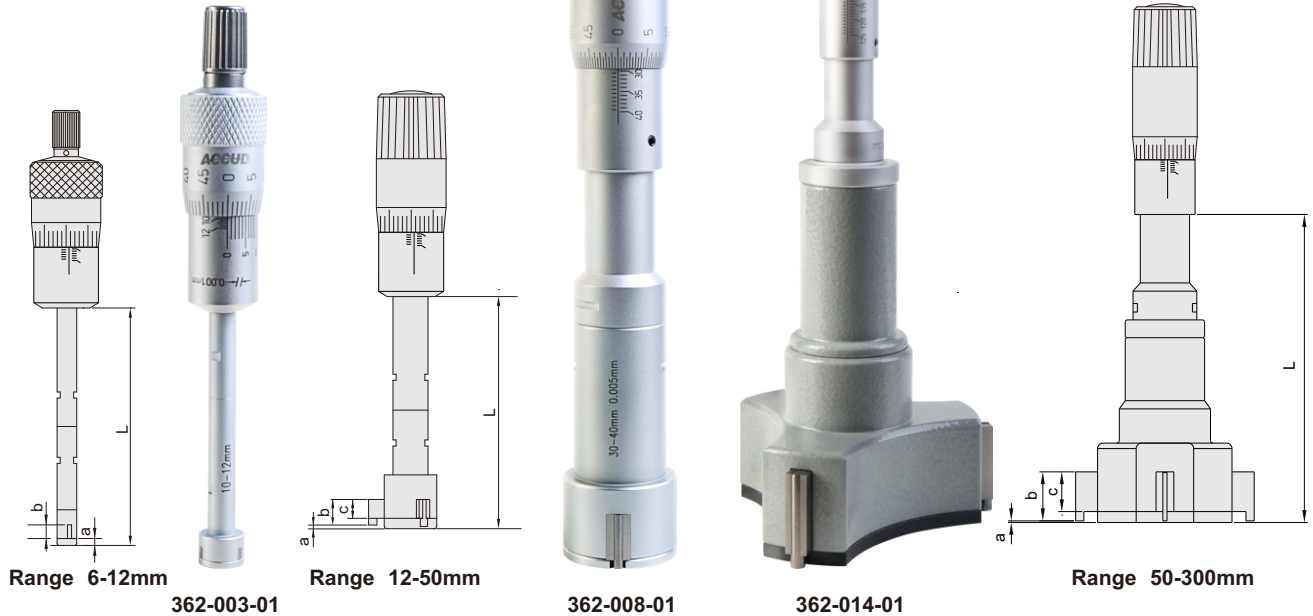


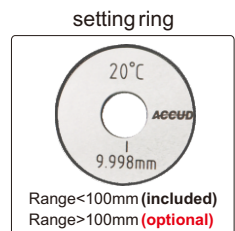


- ◆ 6-12mm graduation: 0.001mm  
Steel measuring faces
- ◆ 12-300mm graduation: 0.005mm  
Carbide measuring faces
- ◆ Ratchet stop
- ◆ Extension rod are included
- ◆ Setting rings are included (Range<100mm)



Code	Range	Accuracy	Setting ring	Extension rod	a	b	c	L
362-001-01 *	6-8mm	4µm	Ø6mm(included)	100mm	1.5	2.5	/	54.5
362-002-01 *	8-10mm	4µm	Ø8mm(included)	100mm	1.5	2.5	/	54.5
362-003-01 *	10-12mm	4µm	Ø10mm(included)	100mm	1.5	2.5	/	54.5
362-004-01 *	12-16mm	4µm	Ø16mm(included)	150mm	0.5	6	4.5	80
362-005-01 *	16-20mm	4µm	Ø16mm(included)	150mm	0.5	6	4.5	80
362-006-01 *	20-25mm	4µm	Ø25mm(included)	150mm	0.5	8	6	90
362-007-01 *	25-30mm	4µm	Ø25mm(included)	150mm	0.5	8	6	90
362-008-01 *	30-40mm	4µm	Ø40mm(included)	150mm	0.5	14	12	97
362-009-01 *	40-50mm	5µm	Ø40mm(included)	150mm	0.5	14	12	97
362-010-01 *	50-63mm	5µm	Ø62mm(included)	150mm	0.5	17.5	14.5	114
362-011-01 *	62-75mm	5µm	Ø62mm(included)	150mm	0.5	17.5	14.5	114
362-012-01 *	75-88mm	5µm	Ø87mm(included)	150mm	0.5	17.5	14.5	114
362-013-01 *	87-100mm	5µm	Ø87mm(included)	150mm	0.5	17.5	14.5	114
362-014-01	100-125mm	6µm	optional	150mm	0.9	29	25	140
362-015-01	125-150mm	6µm	optional	150mm	0.9	29	25	140
362-016-01	150-175mm	7µm	optional	150mm	0.9	29	25	140
362-017-01	175-200mm	7µm	optional	150mm	0.9	29	25	140
362-018-01	200-225mm	8µm	optional	150mm	0.9	29	25	140
362-019-01	225-250mm	8µm	optional	150mm	0.9	29	25	140
362-020-01	250-275mm	9µm	optional	150mm	0.9	29	25	140
362-024-01	275-300mm	9µm	optional	150mm	0.9	29	25	140

\*with calibration certificate



extension rod(included)



**INSIDE/OUTSIDE MEASUREMENT**