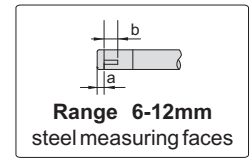
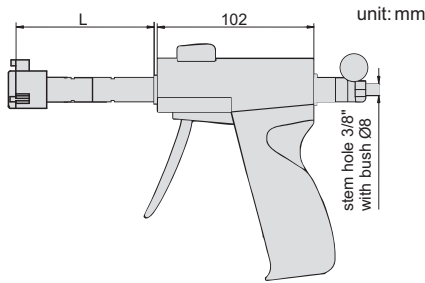


SERIES 365

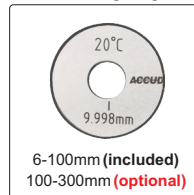
PISTOL GRIP THREE POINTS BORE GAUGE



Indicators (optional)

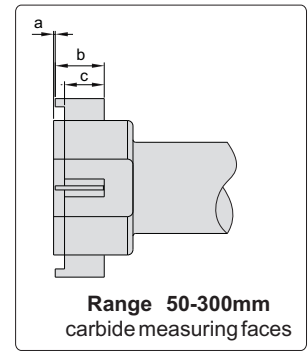
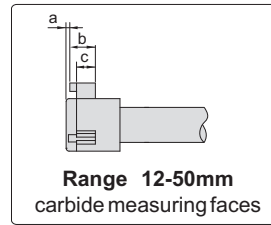


setting ring



365-007-01

extension rod (included)



INDIVIDUAL

Code	Range	Accuracy	Setting ring	Extension rod	a	b	c	L
365-001-01	6-8mm/0.275-0.35"	4µm	Ø6mm (included)	100mm	1.5	2.5	/	50
365-002-01	8-10mm/0.35-0.425"	4µm	Ø8mm (included)	100mm	1.5	2.5	/	50
365-003-01	10-12mm/0.425-0.5"	4µm	Ø10mm (included)	100mm	1.5	2.5	/	50
365-004-01	12-16mm/0.5-0.65"	4µm	Ø16mm (included)	150mm	0.5	6	4.5	65
365-005-01	16-20mm/0.65-0.8"	4µm	Ø16mm (included)	150mm	0.5	6	4.5	65
365-006-01	20-25mm/0.8-1"	4µm	Ø25mm (included)	150mm	0.5	8	6	91
365-007-01	25-30mm/1-1.2"	4µm	Ø25mm (included)	150mm	0.5	8	6	91
365-008-01	30-40mm/1.2-1.6"	4µm	Ø40mm (included)	150mm	0.5	14	12	97
365-009-01	40-50mm/1.6-2"	5µm	Ø40mm (included)	150mm	0.5	14	12	97
365-010-01	50-63mm/2-2.5"	5µm	Ø62mm (included)	150mm	0.5	17.5	14.5	112
365-011-01	62-75mm/2.5-3"	5µm	Ø62mm (included)	150mm	0.5	17.5	14.5	112
365-012-01	75-88mm/3-3.5"	5µm	Ø87mm (included)	150mm	0.5	17.5	14.5	112
365-013-01	87-100mm/3.5-4"	5µm	Ø87mm (included)	150mm	0.5	17.5	14.5	112
365-014-01	100-125mm/4-5"	6µm	optional	150mm	0.9	29	25	140
365-015-01	125-150mm/5-6"	6µm	optional	150mm	0.9	29	25	140
365-016-01	150-175mm/6-7"	7µm	optional	150mm	0.9	29	25	140
365-017-01	175-200mm/7-8"	7µm	optional	150mm	0.9	29	25	140
365-018-01	200-225mm/8-9"	8µm	optional	150mm	0.9	29	25	140
365-019-01	225-250mm/9-10"	8µm	optional	150mm	0.9	29	25	140
365-020-01	250-275mm/10-11"	9µm	optional	150mm	0.9	29	25	140
365-024-01	275-300mm/11-12"	9µm	optional	150mm	0.9	29	25	140

SET

Code	Range	Micrometers included	Setting ring (included)	Extension rod (included)
365-103-03	6-12mm	6-8, 8-10, 10-12mm	Ø6, Ø8, Ø10mm	100mm
365-305-03	12-20mm	12-16, 16-20mm	Ø16mm	150mm
365-509-05	20-50mm	20-25, 25-30, 30-40, 40-50mm	Ø25mm, Ø40mm	150mm
365-913-05	50-100mm	50-63, 62-75, 75-88, 87-100mm	Ø62mm, Ø87mm	150mm

INSIDE/OUTSIDE MEASUREMENT