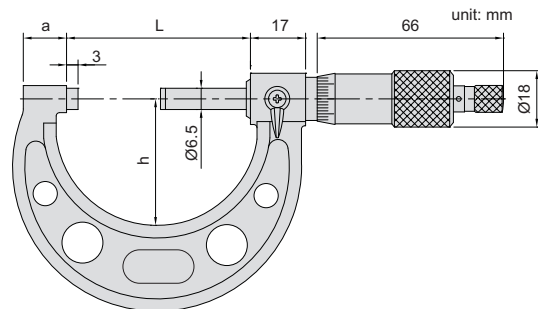


379

LONG SPINDLE OUTSIDE MICROMETER

- ◆ Graduation 0.01mm
- ◆ Ratchet stop
- ◆ Carbide measuring faces



Code	Range	Accuracy	L	a	h
379-001-01	0-25mm	4µm	57	14	38