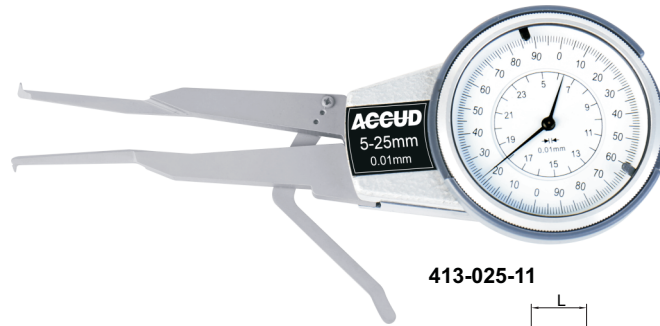
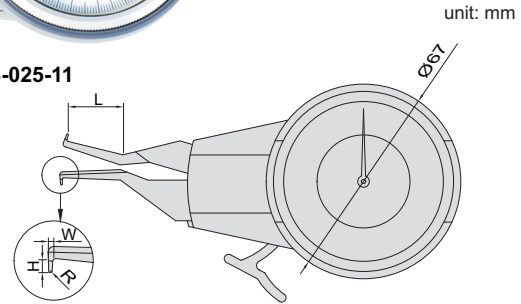


# SERIES 413

# INTERNAL DIAL CALIPER GAUGE



413-025-11



Code	Range	Graduation	Accuracy	L	H	W	R
413-015-11	5-15mm	0.01mm	±0.03mm	20	2	1.5	R0.3
413-025-11	5-25mm	0.01mm	±0.03mm	35	1.5	1.0	R0.3
413-030-11	10-30mm	0.01mm	±0.03mm	55	5.5	2.5	R0.5
413-040-11	20-40mm	0.01mm	±0.03mm	80	6.0	3.0	R0.5
413-050-11	30-50mm	0.01mm	±0.03mm	80	8.0	3.0	R0.5
413-060-11	40-60mm	0.01mm	±0.03mm	80	8.0	3.0	R0.5

THICKNESS